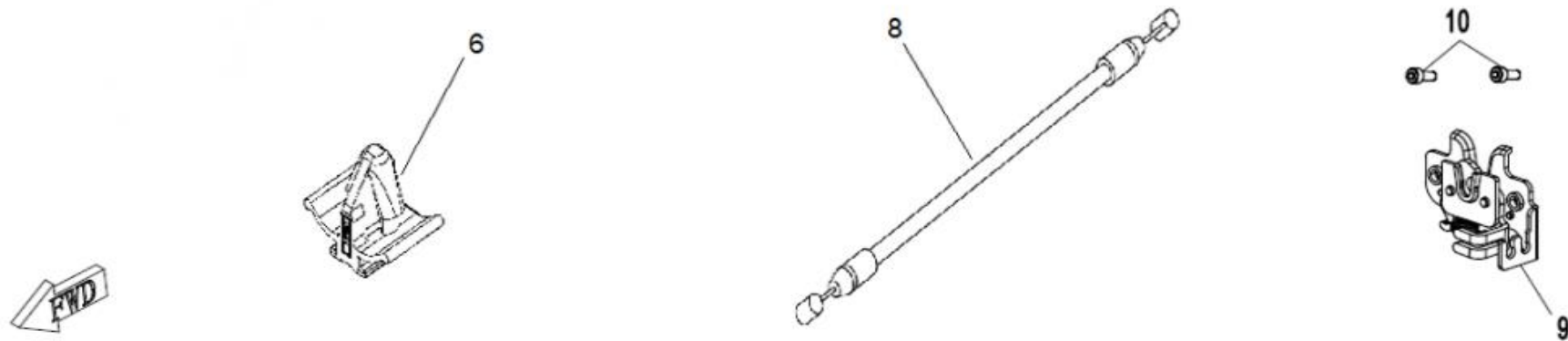
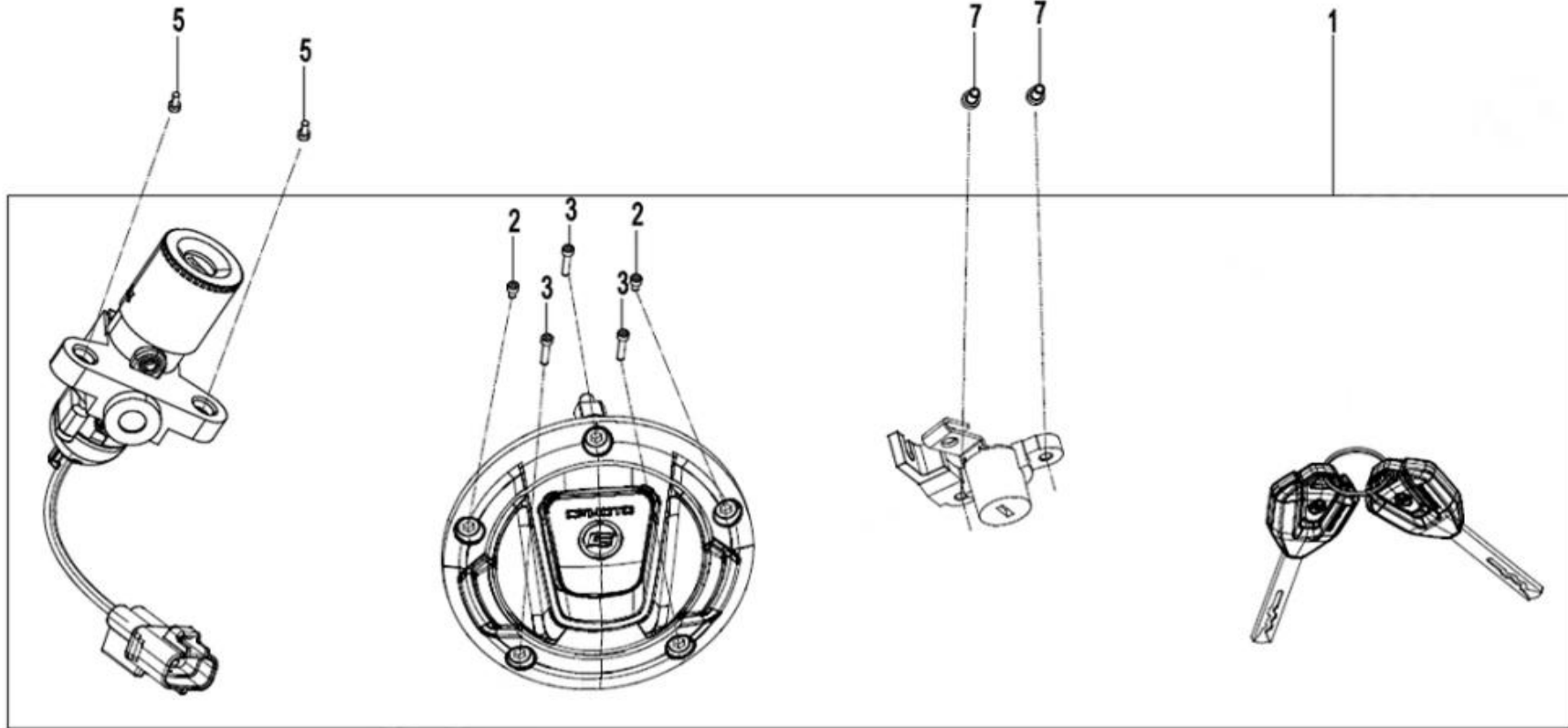


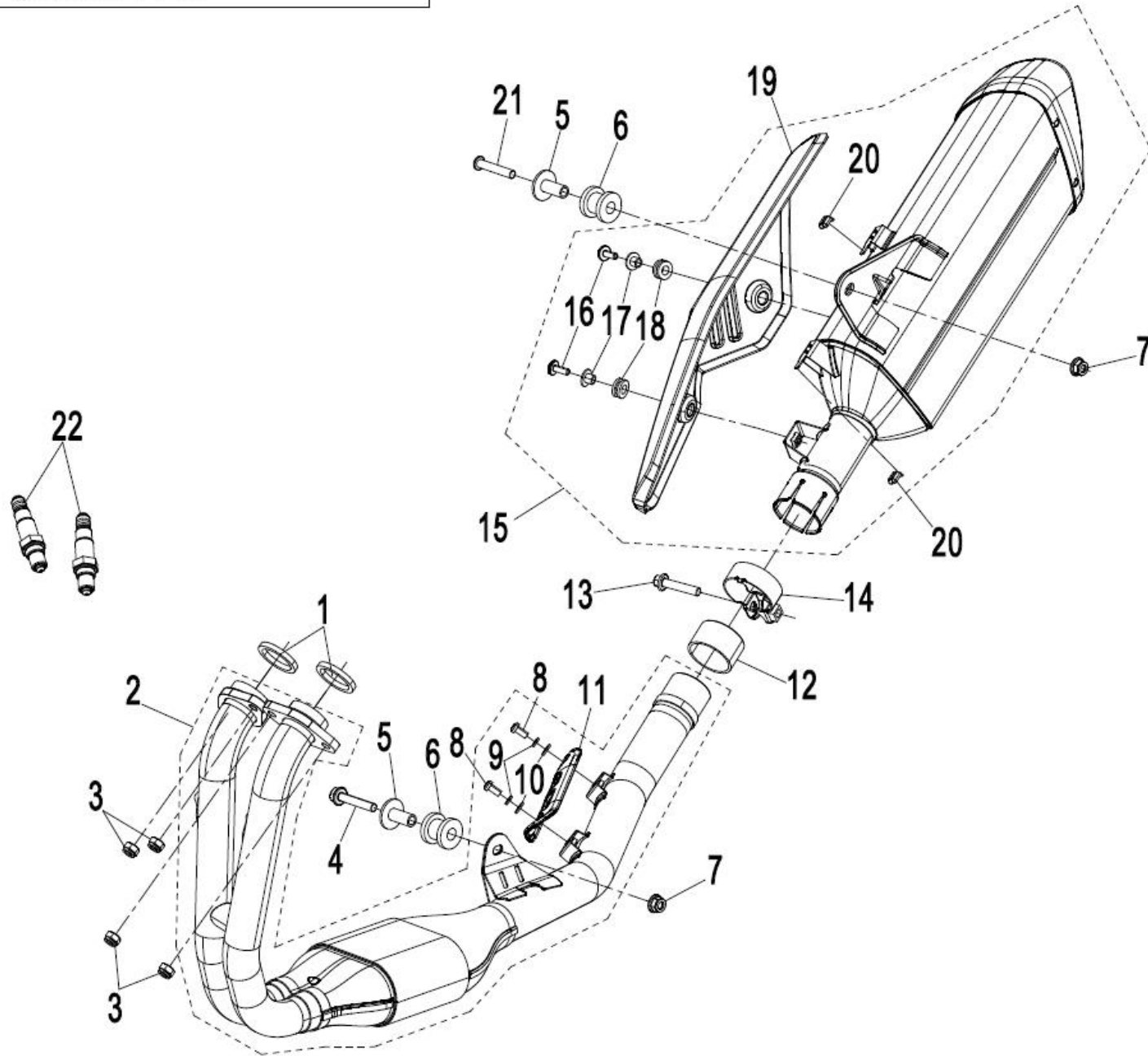
# F01 锁具 LOCK KIT

## 锁具/LOCK KIT



Item No.	Parts Number	Parts Name(EN)	Qty	Remarks
F01-01	6AQV-011000-1000-10	LOCK KIT	1	
F01-02	30102-050008900	INNER HEX SCREW M5x8	2	
F01-03	30102-050025900	INNER HEX SCREW M5x25	3	
F01-05	30102-080016810	SCREW GB/T70.1_M8x16	2	
F01-06	CFCV-CAC002-2000-M1	CLIP	1	
F01-07	30102-050012810	SCREW M5X12	2	
F01-08	6AQV-010010-6000	SEAT CABLE	1	
F01-09	EB8V-010900-1000-M1	SEAT	1	
F01-10	30102-060012810	SCREW M6X12	2	

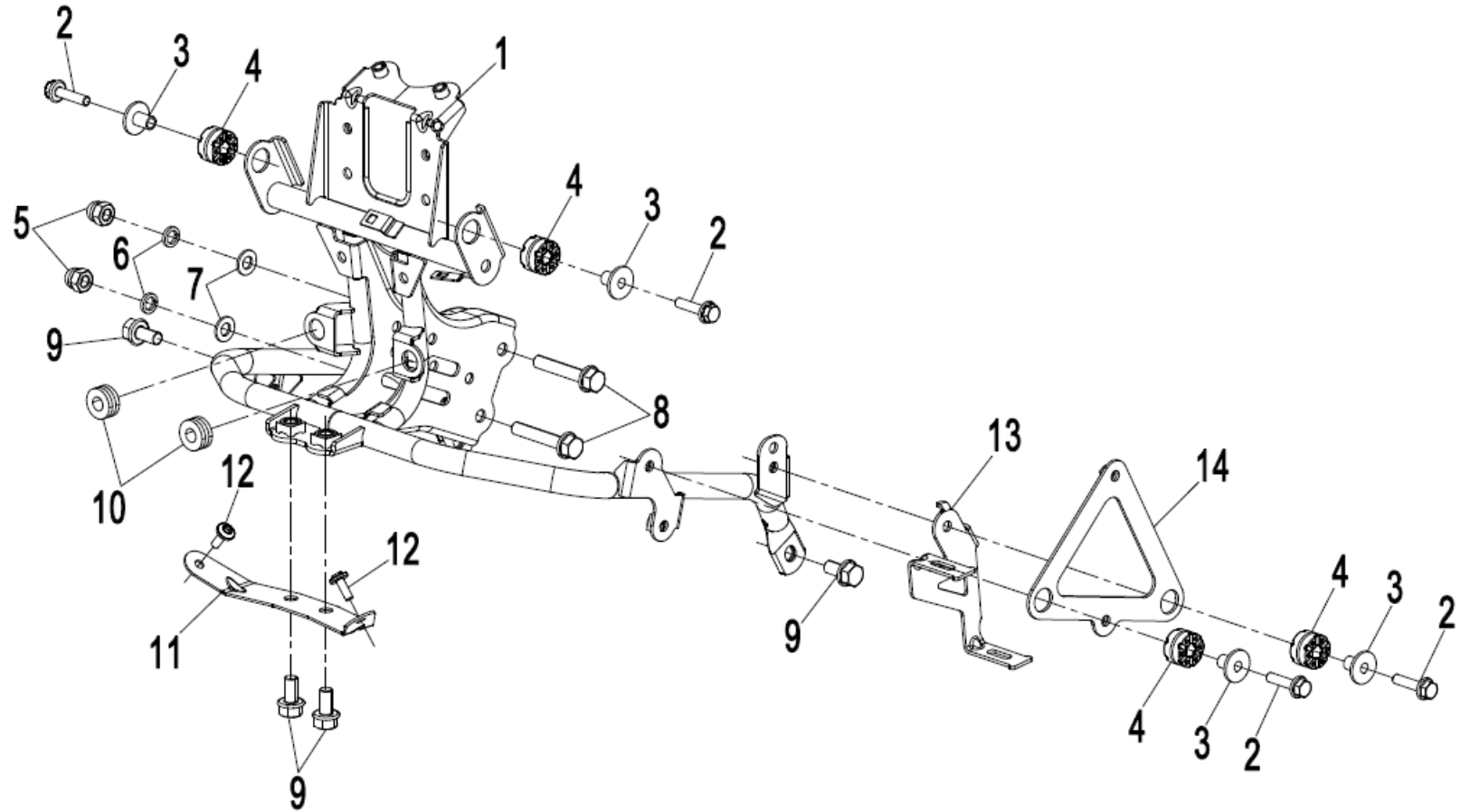
消声器/MUFFLER



Item No.	Parts Number	Parts Name(EN)	Qty	Remarks
F02-01	6090-020010	GASKET, EXHAUST PORT	2	
F02-02	6AQV-021100-6001	EXHAUST PIPE ASSY	1	
F02-03	6L30-020005	LOCK NUT	4	
F02-04	30006-080045810	BOLT M8X45	1	
F02-05	6KJ0-020004	BUSHING, MUFFLER	2	
F02-06	6KJ0-020003	BUSHING, MUFFLER	2	
F02-07	30204-080810	LOCK NUT M8	2	
F02-08	6WWV-046702-5000	INNER HEX SCREW M6x12	2	
F02-09	30303-060112	WASHER M6	2	
F02-10	30306-060800	WASHER M6	2	
F02-11	6AQV-021010-6000	MUFFLER GUARD 1	1	
F02-12	6AQV-021400-1000	SEAL SLEEVE, GRAPHITE	1	
F02-13	30006-080035810	BOLT M8X35	1	
F02-14	6AQV-021500-1000	CLAMP KIT	1	
F02-15	6AQV-021300-6000	MUFFLER BODY ASSY	1	
F02-16	6WWV-046802-5000	INNER HEX SCREW M6x16	2	
F02-17	6AQV-021002-1000	BUSHING	2	
F02-18	6AQV-021003-1000	RUBBER BUSHING, GUARD	2	
F02-19	6AQV-021020-6000	MUFFLER GUARD 2	1	
F02-20	6GU#-021005-6000	GUARD RUBBER SLEEVE	2	
F02-21	6AQV-020022-6000	SCREW M8X45	1	
F02-22	0HU0-176000	OXYGEN SENSOR	2	

F03-1 前支架 FRONT BRACKET

前支架/FRONT BRACKET

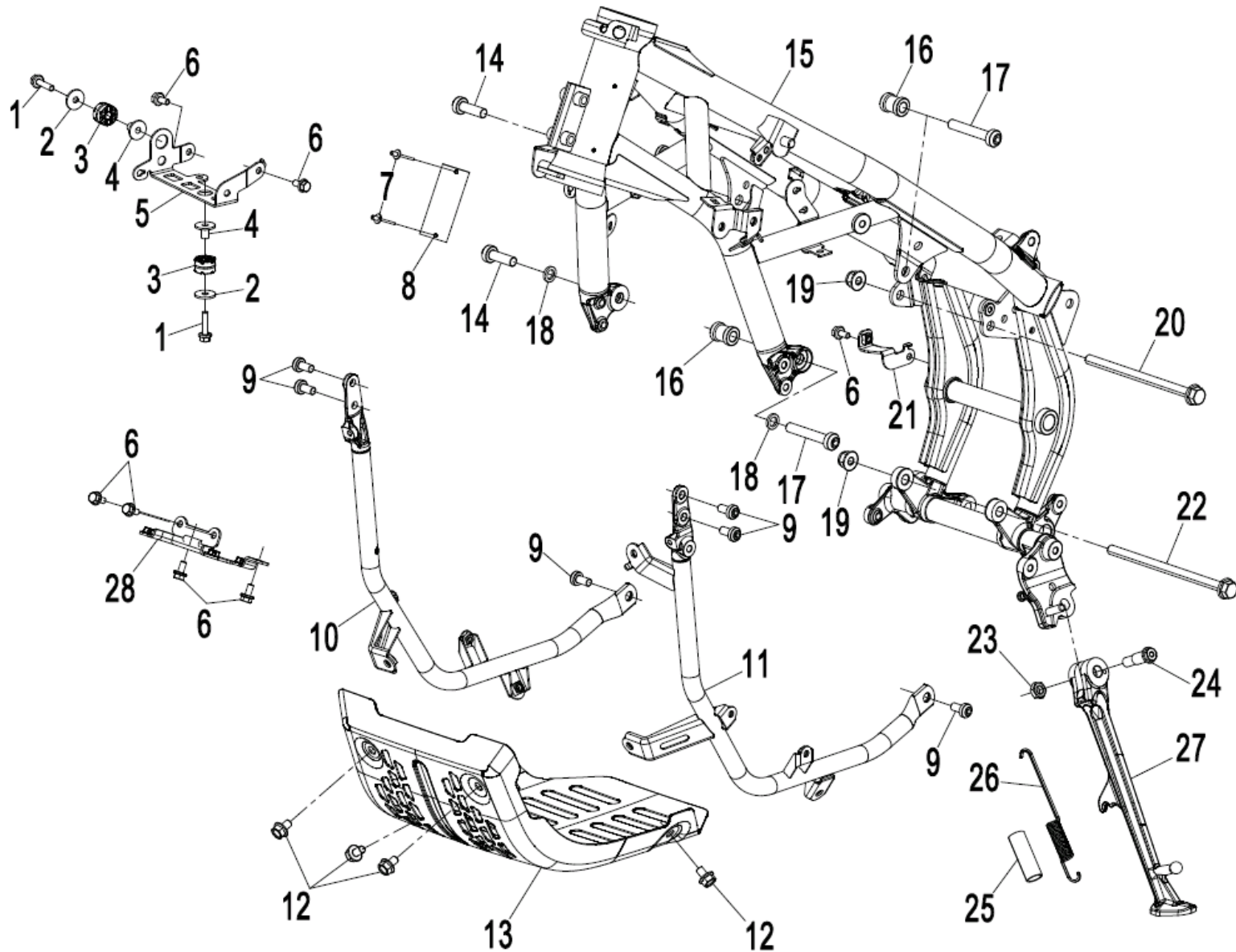


Item No.	Parts Number	Parts Name(EN)	Qty	Remarks
F03-1-01	6AQV-030400-6000-0BP00	FRONT BRACKET ASSY (MAUD SPIRIT BLACK)	1	
F03-1-02	30006-060025810	BOLT M6X25	4	
F03-1-03	5020-031002	RUBBER SLEEVE LINER, FRONT LICENSE BRACKET	4	
F03-1-04	6KWV-030003-1000	HEADLIGHT BRACKET SLEEVE	4	
F03-1-05	30206-080510	NUT M8	2	
F03-1-06	30303-080112	WASHER M8	2	
F03-1-07	30306-080112	WASHER M8	2	
F03-1-08	30006-080045810	BOLT M8X45	2	
F03-1-09	30006-080016810	BOLT M8X16	4	
F03-1-10	6090-040302	CUSHION SLEEVE	2	
F03-1-11	6AQV-030008-6000	HEADLIGHT PANEL BRACKET	1	
F03-1-12	6WWV-047102-5000	INNER HEX SCREW M5x14	2	
F03-1-13	6AQV-030001-6000	CANISTER BRACKET	1	
F03-1-14	6AQV-030040-6000	ECU BRACKET	1	

# F03-2-B 主车架(高挡泥板) MAIN FRAME (HIGH FENDER)

FOR BIKE WITH CHASIS NO. PRSDMT45DRA000002 TO PRSDMT45DRA000051

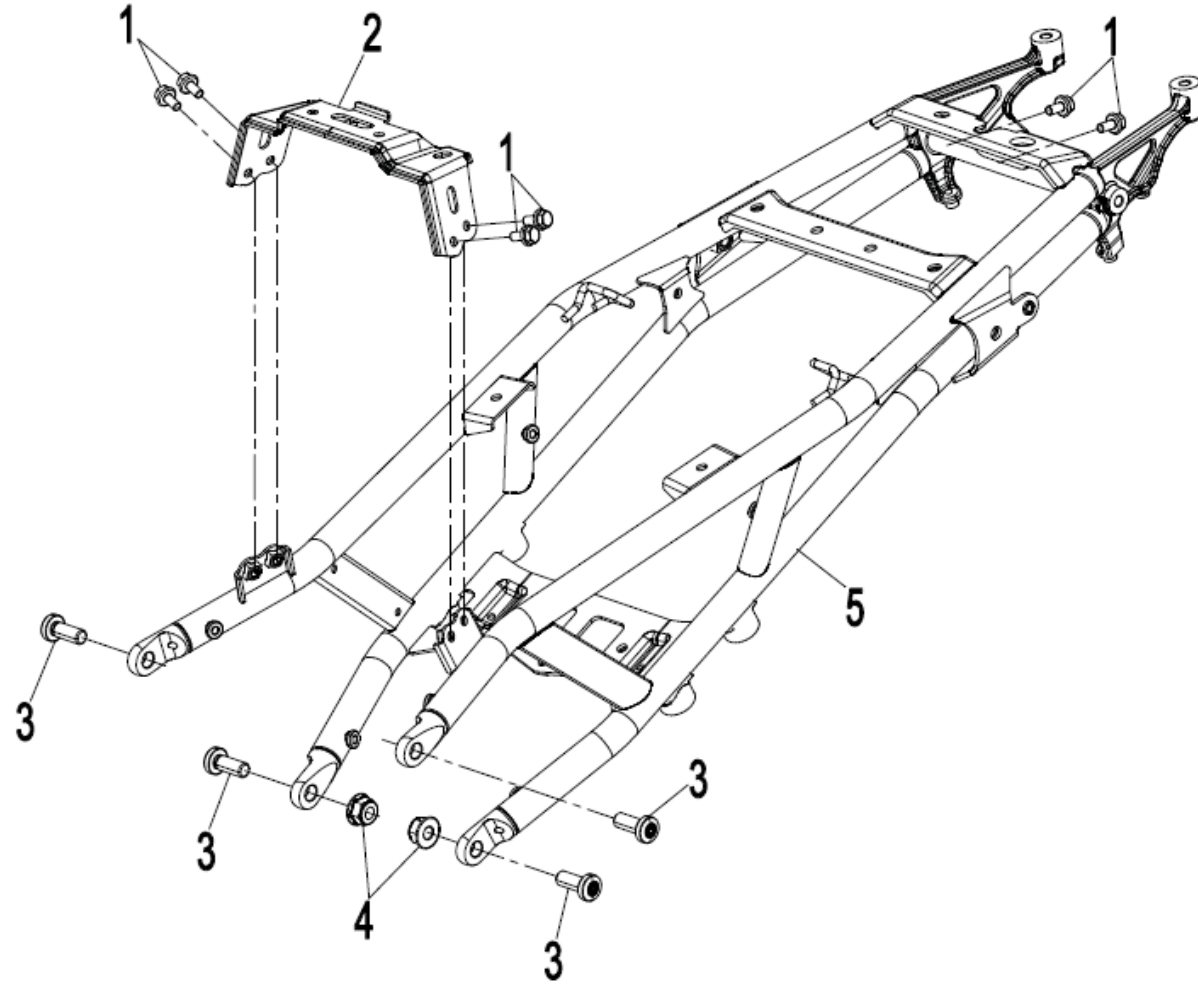
## 主车架/MAIN FRAME



Item No.	Parts Number	Parts Name(EN)	Qty	Remarks
F03-2-B-01	30006-060025810	BOLT M6X25	2	
F03-2-B-02	30301-060412	WASHER M6	2	
F03-2-B-03	6KWV-030003-1000	HEADLIGHT BRACKET SLEEVE	2	
F03-2-B-04	5020-031002	RUBBER SLEEVE LINER, FRONT LICENSE BRACKET	2	
F03-2-B-05	6AQV-030002-6000	ABS BRACKET	1	
F03-2-B-06	30006-060012810	BOLT M6X12	7	ALT:- 30006-060012870
F03-2-B-07	30902-0401320	RIVET M4X13	2	
F03-2-B-08	6KJC-190012-8000	VEHICLE PLATE	1	
F03-2-B-09	6WWV-030013-5000	SCREW M8X16	6	
F03-2-B-10	6AQV-030600-6000-0BP00	ENGINE RH BUMPER ASSY (MAUD SPIRIT BLACK)	1	
F03-2-B-11	6AQV-030500-6000-0BP00	ENGINE LH BUMPER ASSY (MAUD SPIRIT BLACK)	1	
F03-2-B-12	30006-080012810	BOLT M8X12	4	
F03-2-B-13	6AQV-030003-6000	LOWER PANEL, ENGINE	1	
F03-2-B-14	6AQV-030007-6000	SCREW M10X30	2	
F03-2-B-15	6AQV-033000-6000-0BP00	FRONT FRAME ASSY (MAUD SPIRIT BLACK)	1	
F03-2-B-16	6AQV-030004-1000	BUSHING, ENGINE	2	
F03-2-B-17	6L30-030091	BOLT M10x60	2	
F03-2-B-18	6WWV-030023-5000	NORDLOCK_WASHER_M10	2	
F03-2-B-19	30204-102110	NUT M10X1.25	2	ALT:- 30204-102810
F03-2-B-20	30006-102155110	BOLT	1	
F03-2-B-21	6AQV-030020-6001	BRAKE FLUID RESERVOIR BRACKET	1	
F03-2-B-22	30001-102170110	BOLT M10X1.25X170	1	
F03-2-B-23	30208-102810	NUT M10x1.25	1	
F03-2-B-24	6GU#-030008-6000	SIDE BRACKET BOLT	1	
F03-2-B-25	A000-030004	SIDE STAND SPRING SLEEVE	1	
F03-2-B-26	A000-030210	SIDE STAND SPRING ASSY	1	
F03-2-B-27	6AQV-030006-6000	SIDE STAND	1	
F03-2-B-28	6AQV-030010-6100	FENDER BRACKET	1	

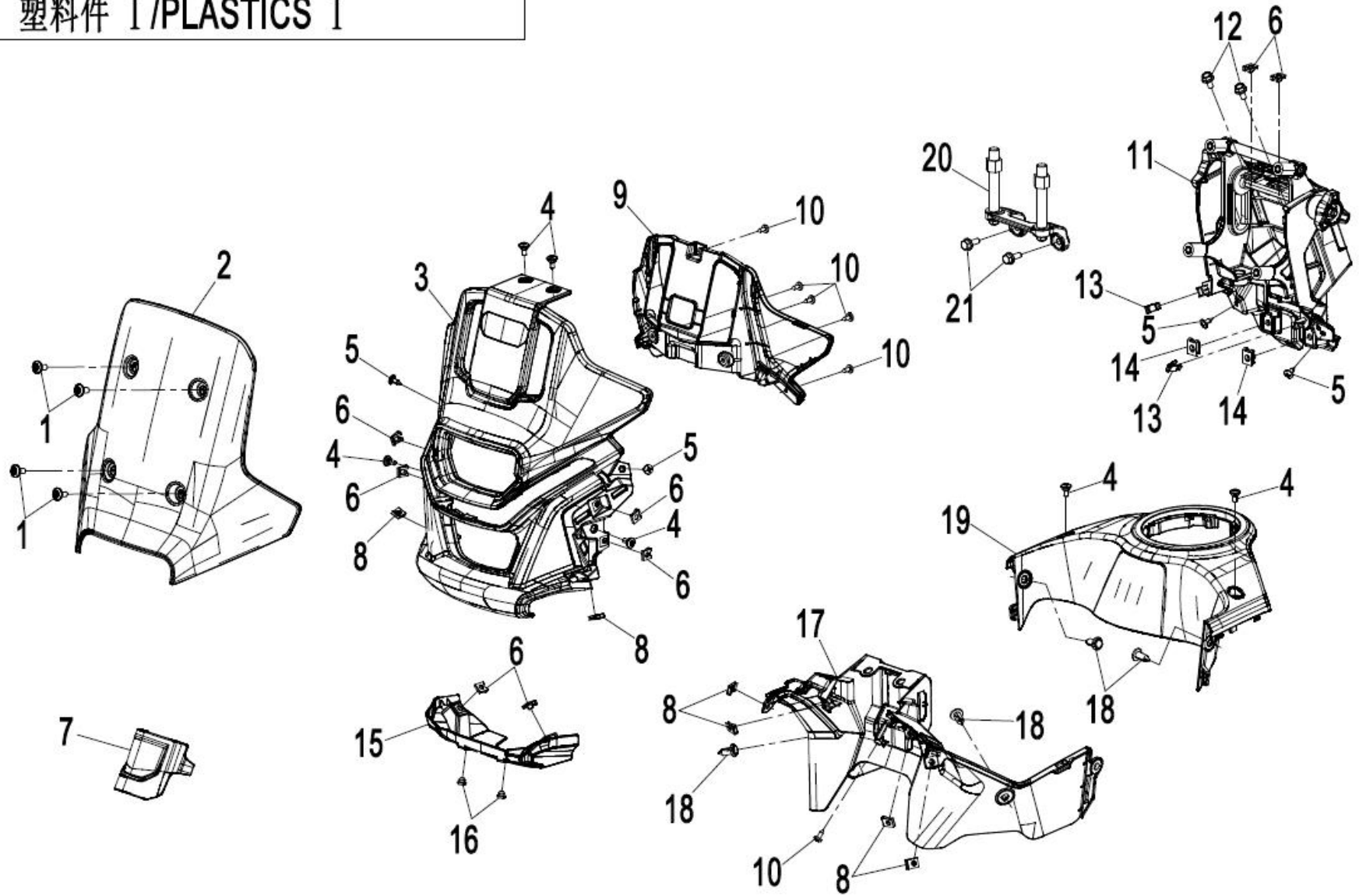


# F03-3 副车架 REAR FRAME



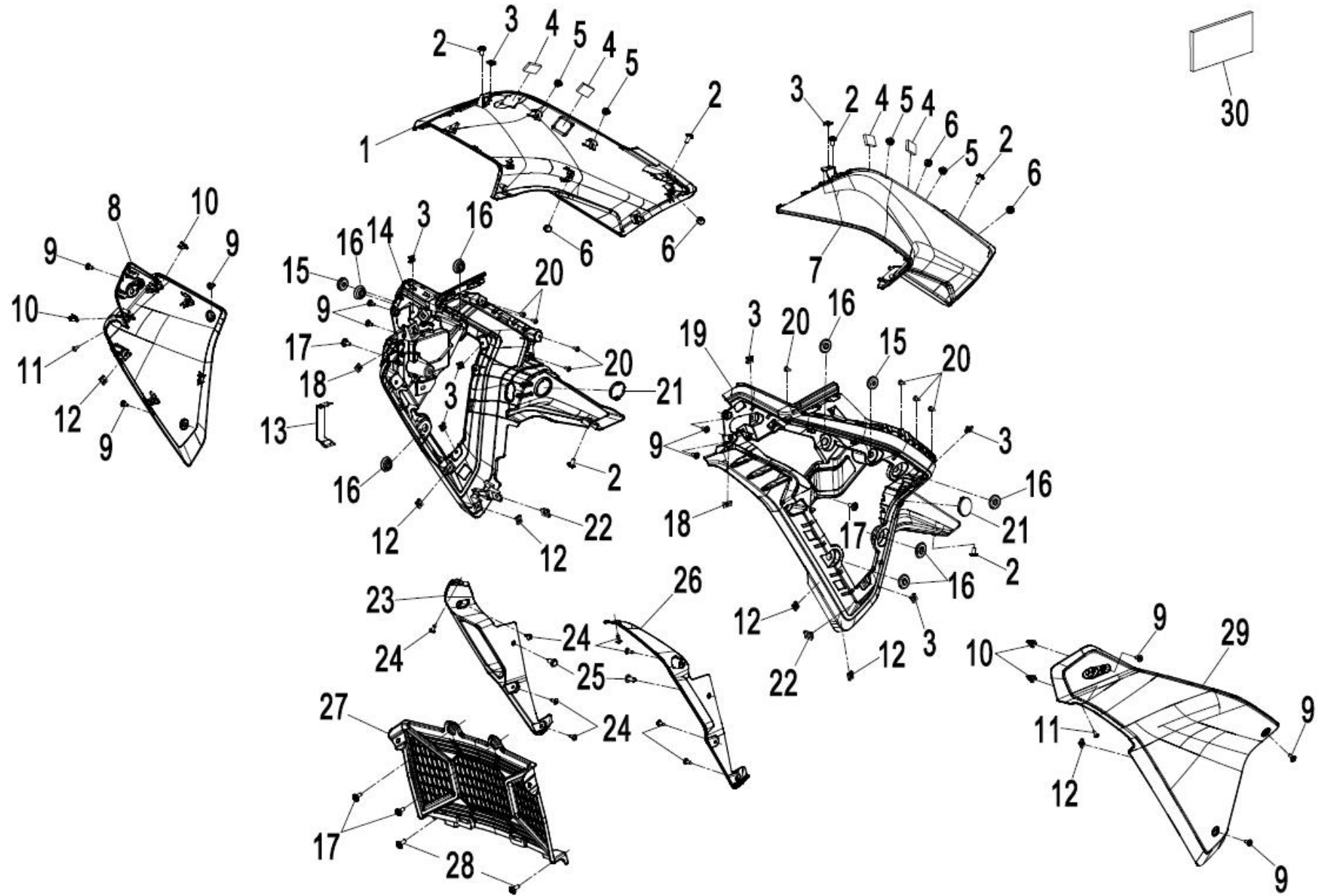
Item No.	Parts Number	Parts Name(EN)	Qty	Remarks
F03-3-01	30006-060012810	BOLT	6	ALT:- 30006-060012870
F03-3-02	6AQV-030030-6000	FUEL TANK REAR BRACKET	1	
F03-3-03	6AQV-030009-6000	SCREW M10X25	4	
F03-3-04	30204-102110	NUT M10x1.25	2	ALT:- 30204-102810
F03-3-05	6AQV-032000-6000-0HB00	REAR FRAME ASSY	1	

塑料件 I /PLASTICS I



Item No.	Parts Number	Parts Name(EN)	Qty	Remarks
F04-1-01	6WWV-046602-5000	INNER HEX STEPPED SCREW M6x14	4	
F04-1-02	6AQV-040101-6000	FRONT WINDSHIELD	1	
F04-1-03	6AQV-040201-6000	HEADLIGHT PANEL	1	
F04-1-04	6AQV-043003-6000	BOLT KIT M5	6	
F04-1-05	30110-481130010	SELF-TAPPING SCREW ST4.8X13	4	
F04-1-06	6KM#-040081-8000-M1	NUT CLIP M5	8	
F04-1-07	6AQV-041103-6000	COVER, IGNITION LOCK	1	
F04-1-08	8080-000002	CLIP NUT ST4.8	6	
F04-1-09	6AQV-040202-6000	HEADLIGHT BACKBOARD	1	
F04-1-10	30110-421130010	SELF-TAPPING SCREW ST4.2X13	6	
F04-1-11	6AQV-040100-6000	ADJUSTABLE WINDSHIELD BRACKET ASSY	1	
F04-1-12	30006-060012810	BOLT M6X12	2	ALT:- 30006-060012870
F04-1-13	8080-000001	CLASP	2	
F04-1-14	8030-040800-00001	NUT CLIP M6	2	
F04-1-15	6AQV-040206-6000	HEADLIGHT PANEL DECO PLATE	1	
F04-1-16	6AQV-043001-6000	RUBBER	2	
F04-1-17	6AQV-040302-6000	DASHBOARD LOWER PANEL	1	
F04-1-18	9060-040310	PLASTIC CLIPS	4	
F04-1-19	6AQV-040401-6000	UPPER PANEL, FUEL TANK	1	
F04-1-20	6AQV-040130-6000	WINDSHIELD LIMIT ASSY	1	
F04-1-21	30006-060016810	BOLT M6X16	2	ALT:- 30006-060016870

塑料件 II / PLASTICS II

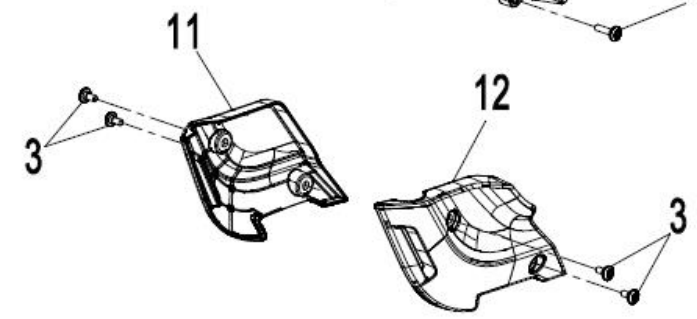
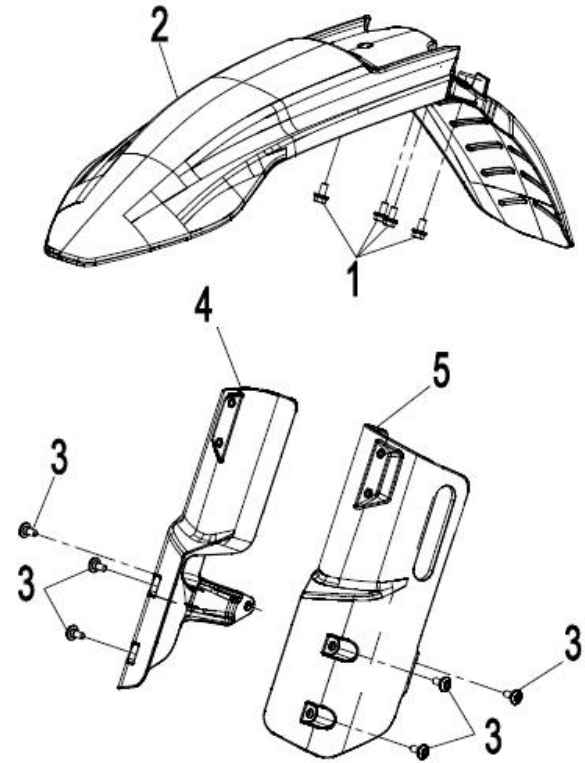
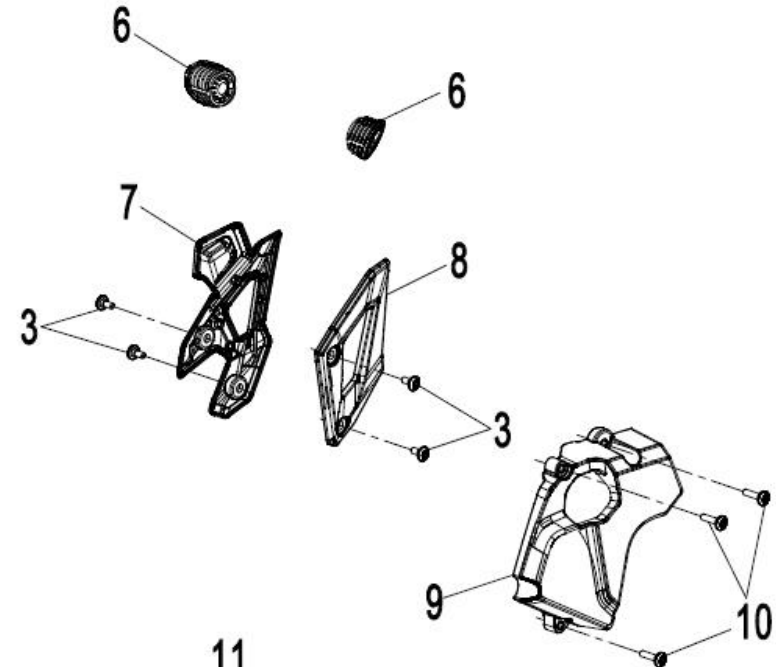
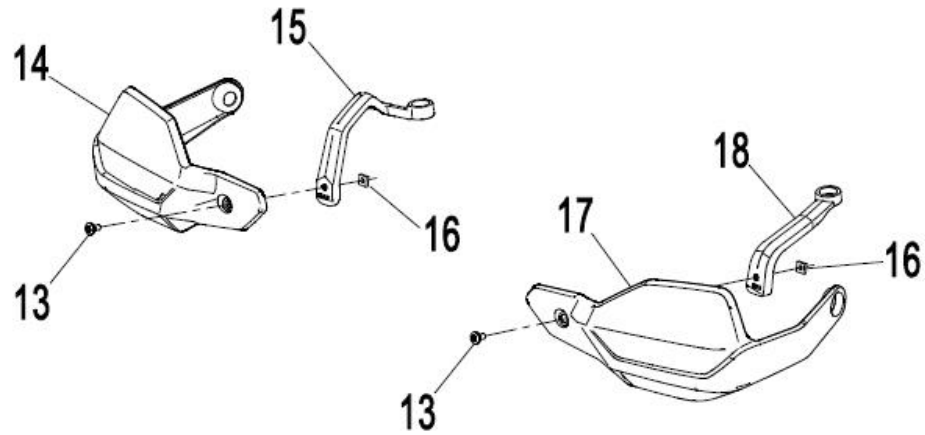


Item No.	Parts Number	Parts Name(EN)	Qty	Remarks
F04-2-01	6AQV-040403-6000-0EN00	FUEL TANK RH PANEL	1	ZEPHYR BLUE
F04-2-01	6AQV-040403-6000-0BM00	FUEL TANK RH PANEL	1	NEBULA BLACK
F04-2-02	6WWV-046702-5000	INNER HEX SCREW M6x12	6	
F04-2-03	6KM#-040081-8000-M1	NUT CLIP M5	8	
F04-2-04	6NT1-041510	BUCKLE ASSY	4	
F04-2-05	6AQV-043002-6000	PLASTIC CLASP	4	
F04-2-06	6WWV-045801-5000	RUBBER	4	
F04-2-07	6AQV-040402-6000-0EN00	FUEL TANK LH PANEL	1	ZEPHYR BLUE
F04-2-07	6AQV-040402-6000-0BM00	FUEL TANK LH PANEL	1	NEBULA BLACK
F04-2-08	6AQV-040502-6000-0VE00	RADIATOR RH PANEL	1	FOR BLUE BIKE
F04-2-08	6AQV-040502-6000-0HJ00	RADIATOR RH PANEL	1	FOR BLACK BIKE
F04-2-09	6AQV-043003-6000	BOLT KIT M5	10	
F04-2-10	8080-000001	CLASP	4	
F04-2-11	30110-420130070	SELF-TAPPING SCREW ST4.2X13	2	
F04-2-12	8080-000002	CLIP NUT ST4.8	6	
F04-2-13	6GUV-150910-9000	T-BOX ASSY	1	
F04-2-14	6AQV-040504-6000	RH INNER PLATE, RADIATOR	1	
F04-2-15	6AQV-040606-7100	SIDE PANEL BUSHING	2	
F04-2-16	6FIV-040401-7100	RUBBER HEAD	7	
F04-2-17	6WWV-046602-5000	INNER HEX STEPPED SCREW M6x14	4	
F04-2-18	8010-000002	TOOL ST4.2	2	
F04-2-19	6AQV-040503-6000	LH INNER PLATE, RADIATOR	1	
F04-2-20	30110-421130010	SELF-TAPPING SCREW ST4.2X13	8	
F04-2-21	6AQV-040510-6000	RADIATOR VENTILATOR COVER PLUG	2	
F04-2-22	8030-040800-00001	NUT CLIP M6	2	
F04-2-23	6AQV-040508-6000	RH FRONT PANEL, RADIATOR	1	
F04-2-24	30110-480160070	SCREW ST4.8X16	8	
F04-2-25	9060-040310	PLASTIC CLIPS	2	
F04-2-26	6AQV-040507-6000	LH FRONT PANEL, RADIATOR	1	
F04-2-27	6AQV-040509-6000	FRONT PANEL, RADIATOR	1	
F04-2-28	6WWV-046802-5000	INNER HEX SCREW M6x16	2	
F04-2-29	6AQV-040501-6000-0VE00	RADIATOR LH PANEL	1	FOR BLUE BIKE
F04-2-29	6AQV-040501-6000-0HJ00	RADIATOR LH PANEL	1	FOR BLACK BIKE
F04-2-30	6KWV-041108-1000	BATTERY FRONT SPONGE MAT	1	

# F04-3-B 塑料件3(高挡泥板) PLASTICS 3(HIGH FENDER)

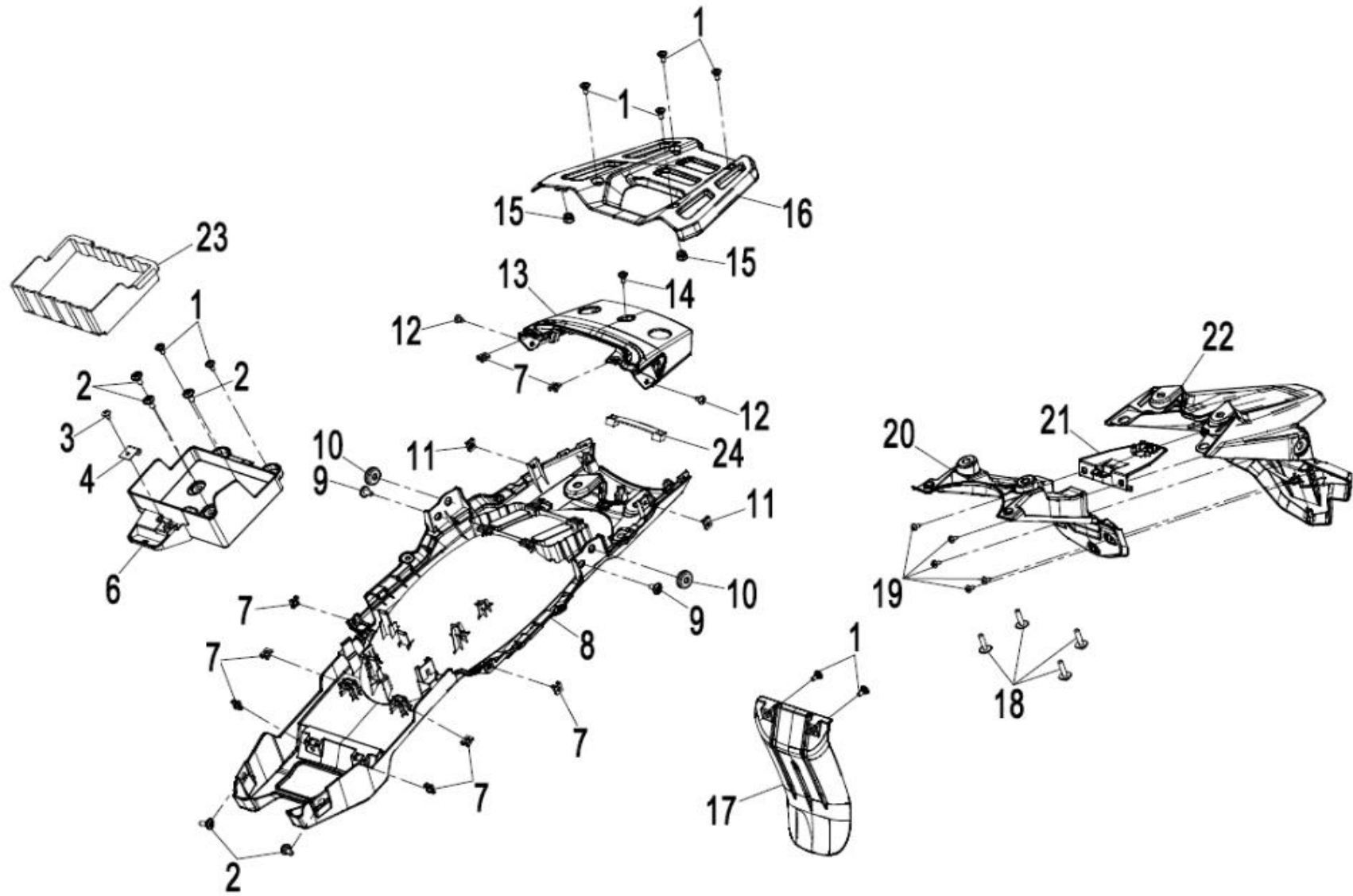
FOR BIKE WITH CHASIS NO. PRSDMT45DRA000002 TO PRSDMT45DRA000051

## 塑料件 III/PLASTICS III



Item No.	Parts Number	Parts Name(EN)	Qty	Remarks
F04-3-B-01	8010-000004	BOLT M6x14	4	
F04-3-B-02	6AQV-050701-6100-0EN00	HIGH FENDER	1	FOR BLUE BIKE
F04-3-B-02	6AQV-050701-6100-0HJ00	HIGH FENDER	1	FOR BLACK BIKE
F04-3-B-03	6WWV-046602-5000	INNER HEX STEPPED SCREW M6x14	14	
F04-3-B-04	6AQV-050703-6000-0BU00	RH DECO PLATE, FRONT FENDER	1	
F04-3-B-05	6AQV-050702-6000-0BU00	RH DECO PLATE, FRONT FENDER	1	
F04-3-B-06	6AQV-043004-6000	FRAME PIPE PLUG	2	
F04-3-B-07	6AQV-041403-6000	PANEL, RH FOOTREST	1	
F04-3-B-08	6AQV-041402-6000	PANEL, LH FOOTREST	1	
F04-3-B-09	6AQV-000101-6000	SMALL SPROCKET GUARD	1	
F04-3-B-10	6WWV-047002-5000	INNER HEX SCREW M6x25	3	
F04-3-B-11	6AQV-040902-6000	RH PANEL, ENGINE	1	
F04-3-B-12	6AQV-040901-6000	LH PANEL, ENGINE	1	
F04-3-B-13	6AQV-043003-6000	BOLT KIT M5	2	
F04-3-B-14	6AQV-041004-6000-0VE00	RH HAND GUARD	1	FOR BLUE BIKE
F04-3-B-14	6AQV-041004-6000-0BM00	RH HAND GUARD	1	FOR BLACK BIKE
F04-3-B-15	6AQV-041002-6000	BRACKET, RH HAND GUARD	1	
F04-3-B-16	6KJ0-040402	NUT M5	2	
F04-3-B-17	6AQV-041003-6000-0VE00	LH HAND GUARD	1	FOR BLUE BIKE
F04-3-B-17	6AQV-041003-6000-0BM00	LH HAND GUARD	1	FOR BLACK BIKE
F04-3-B-18	6AQV-041001-6000	BRACKET, LH HAND GUARD	1	

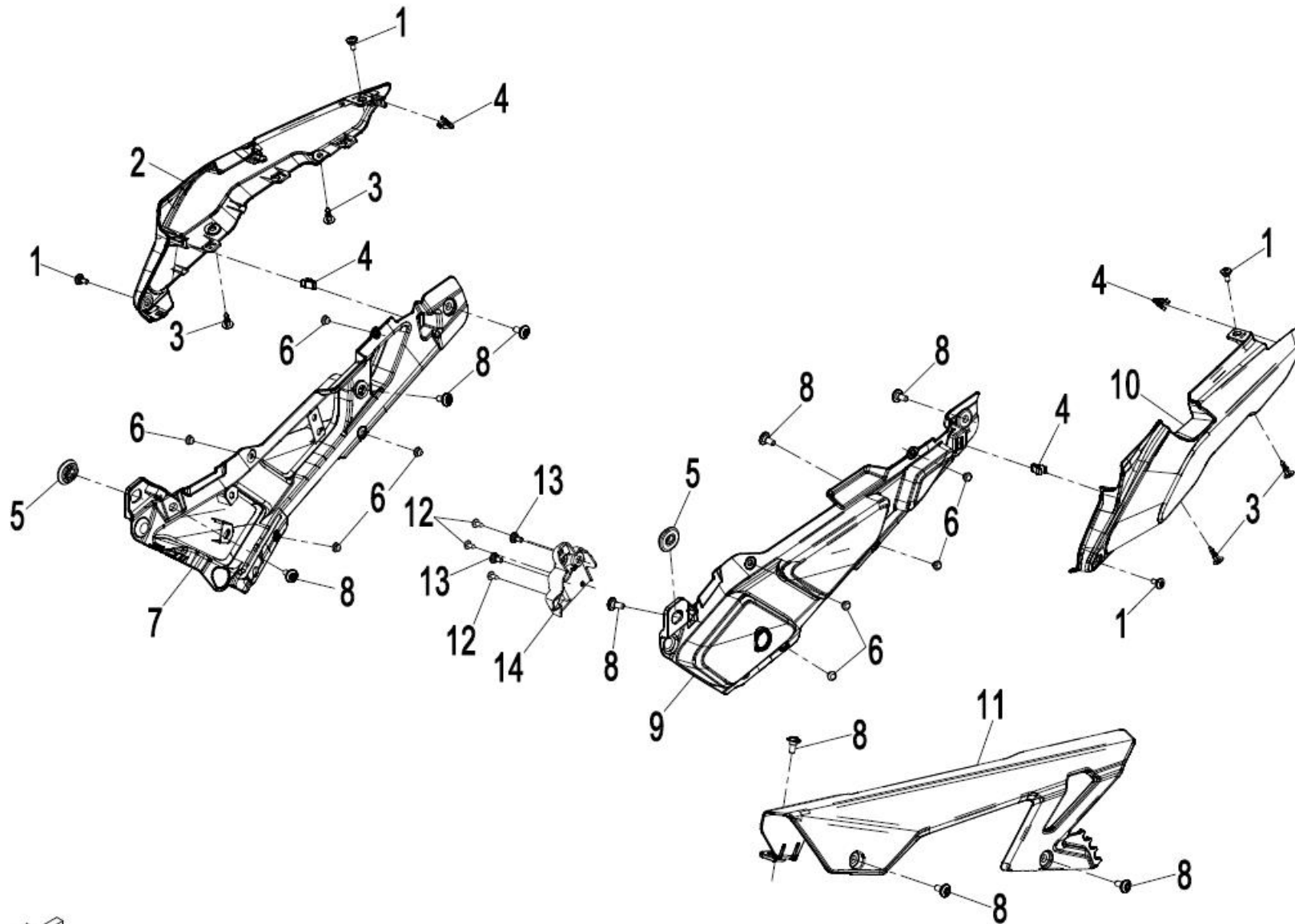
塑料件 IV/PLASTICS IV





Item No.	Parts Number	Parts Name(EN)	Qty	Remarks
F04-4-01	6AQV-043003-6000	BOLT KIT M5	8	
F04-4-02	6WWV-046602-5000	INNER HEX STEPPED SCREW M6x14	5	
F04-4-03	30110-421130010	SELF-TAPPING SCREW	1	
F04-4-04	A000-030005	TIE BAND BRACKET, TOOLS KIT	1	
F04-4-06	6AQV-041102-6001	BATTERY BOX	1	
F04-4-07	6KM#-040081-8000-M1	NUT CLIP M5	8	
F04-4-08	6AQV-040701-6001	FRAME SKID PLATE	1	
F04-4-09	6WWV-046702-5000	INNER HEX SCREW M6x12	2	
F04-4-10	6AQV-040606-7100	SIDE PANEL BUSHING	2	
F04-4-11	8080-000002	CLIP NUT ST4.8	2	
F04-4-12	30110-481130010	SELF-TAPPING SCREW	2	
F04-4-13	6AQV-040706-6000	UPPER GUARD, TAILLIGHT	1	
F04-4-14	6WWV-046502-5000	STEPPED SCREW M5	1	
F04-4-15	6WWV-045801-5000	RUBBER	2	
F04-4-16	6AQV-041401-6000	COVER, REAR ARMREST	1	
F04-4-17	6AQV-060402-6000	REAR WHEEL FRONT FENDER	1	
F04-4-18	8010-090005	BOLT M6x16	4	
F04-4-19	30110-420130070	SELF-TAPPING SCREW	5	
F04-4-20	6AQV-040802-6000	INNER PLATE, REAR FENDER	1	
F04-4-21	6AQV-040803-6000	REAR LICENSE LIGHT BRACKET	1	
F04-4-22	6AQV-040801-6000	REAR FENDER	1	
F04-4-23	6AQV-041511-6000	RUBBER MAT, BATTERY	1	
F04-4-24	6WWV-043201-5000	HOOK RUBBER, TAIL LIGHT	1	

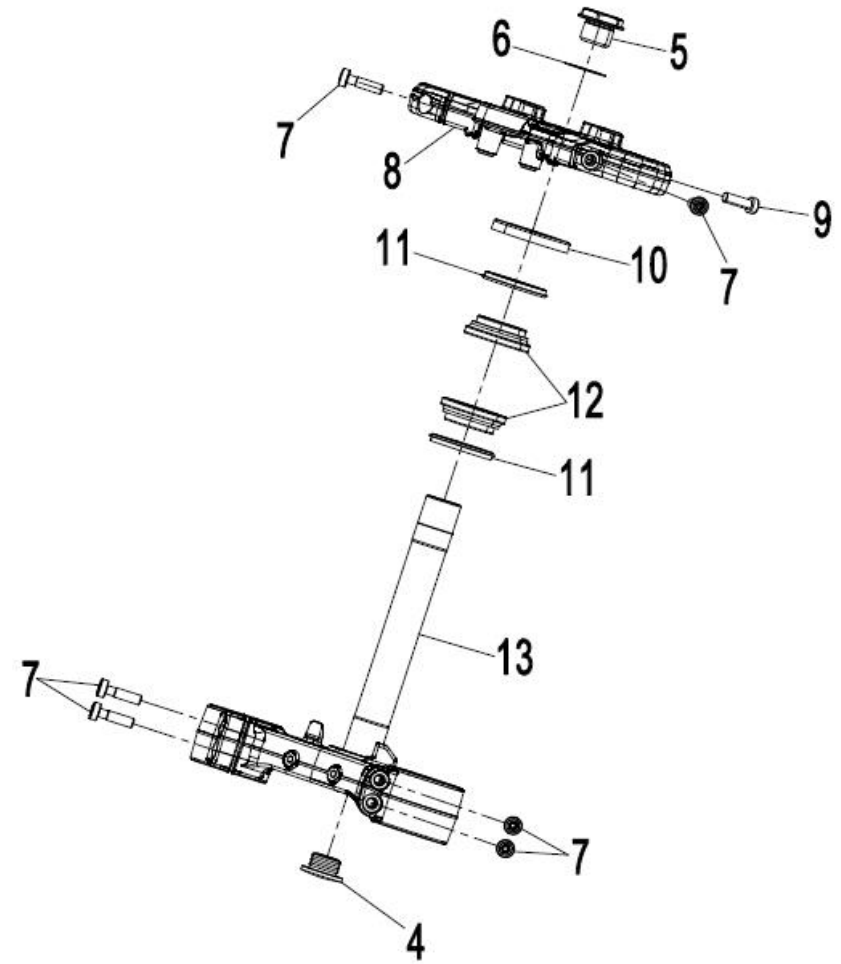
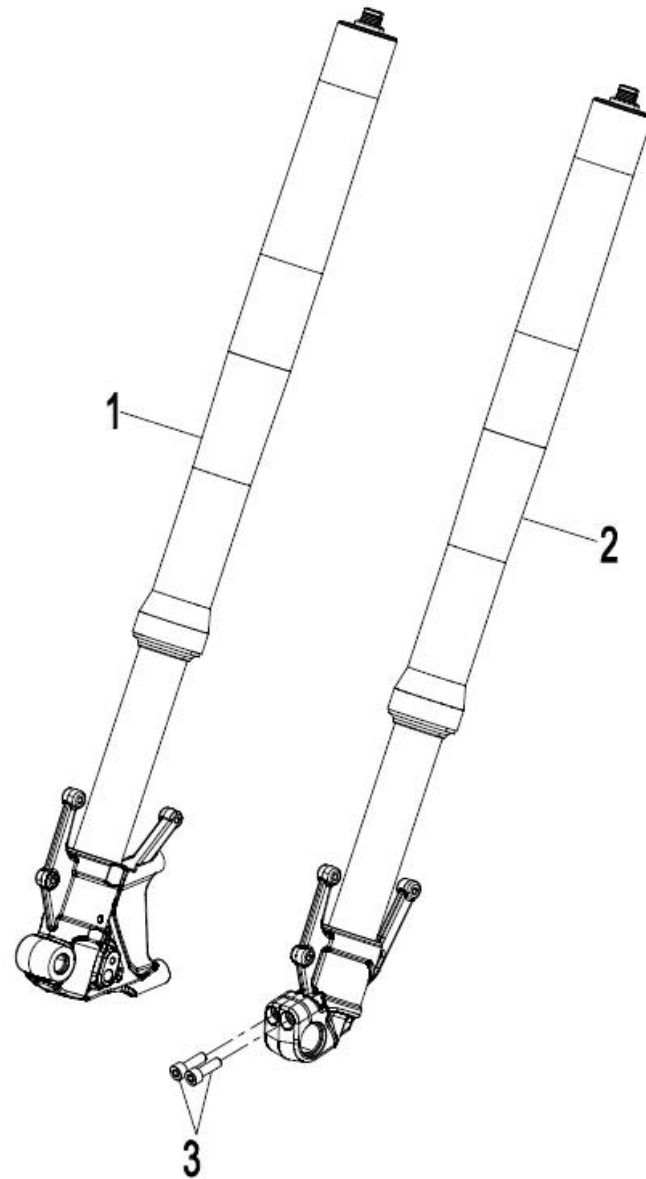
塑料件 V/PLASTICS V



Item No.	Parts Number	Parts Name(EN)	Qty	Remarks
F04-5-01	6WWV-046502-5000	STEPPED SCREW M5	4	
F04-5-02	6AQV-040705-6000	REAR RH DECO PLATE	1	
F04-5-03	8080-041130	EXPANSION RIVET ASSY	4	ALT:- 8080-041131 / 8080-041132
F04-5-04	8080-000001	CLASP	4	
F04-5-05	6FIV-040401-7100	RUBBER HEAD	2	
F04-5-06	6AQV-043001-6000	RUBBER	8	
F04-5-07	6AQV-040703-6001	FRAME RH DECO PLATE	1	
F04-5-08	6WWV-046602-5000	INNER HEX STEPPED SCREW M6x14	9	
F04-5-09	6AQV-040702-6000	FRAME LH DECO PLATE	1	
F04-5-10	6AQV-040704-6000	REAR LH DECO PLATE	1	
F04-5-11	6AQV-060401-6000	REAR FORK PANEL	1	
F04-5-12	30110-421130010	SELF-TAPPING SCREW ST4.2X13	3	
F04-5-13	6AQV-043003-6000	BOLT KIT M5	2	
F04-5-14	6AQV-041101-6000	BRACKET, SEAT LOCK	1	

F05 前悬架 FRONT SUSPENSION

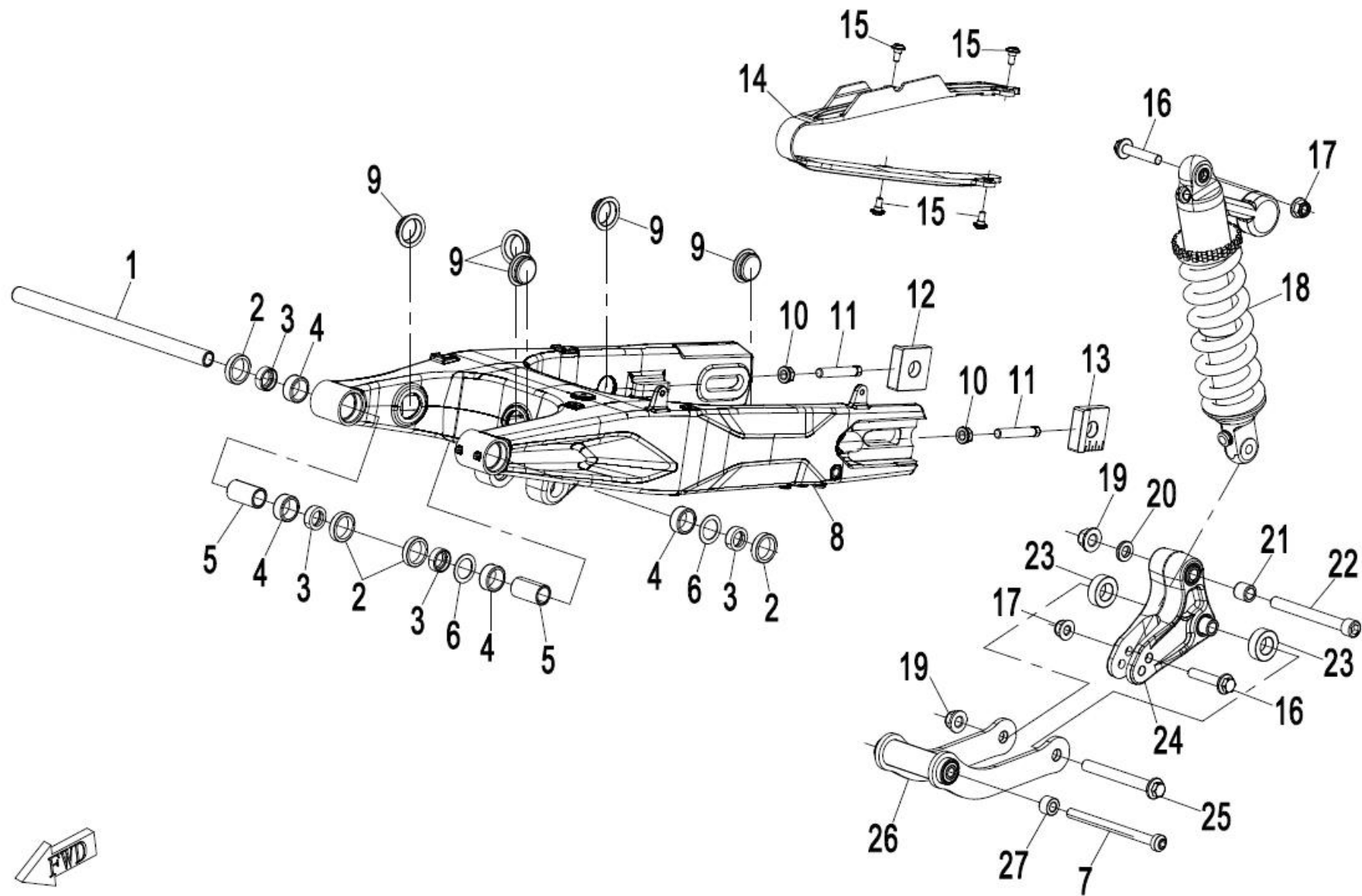
前悬架/FRONT SUSPENSION



Item No.	Parts Number	Parts Name(EN)	Qty	Remarks
F05-01	6AQV-050600-6000-M1	FRONT SHOCK ABSORBER, RH	1	FOR BLUE BIKE
F05-01	6AQV-050600-6100-M1	FRONT SHOCK ABSORBER, RH	1	FOR BLACK BIKE
F05-02	6AQV-050500-6000-M1	FRONT SHOCK ABSORBER, LH	1	FOR BLUE BIKE
F05-02	6AQV-050500-6100-M1	FRONT SHOCK ABSORBER, LH	1	FOR BLACK BIKE
F05-03	30102-080025700	SCREW M8x25	2	
F05-04	6L30-050004	PLUG, FRONT FORK	1	
F05-05	6L30-050002	LOCK SCREW, UPPER TRIPLE CLAMP	1	
F05-06	6WWV-050005-5000	WASHER	1	
F05-07	6WWV-050011-5000	INNER HEX SCREW M8x30	6	
F05-08	6AQV-050001-6000	UPPER TRIPLE CLAMP	1	
F05-09	6WWV-050009-5000	SCREW M8x25	1	
F05-10	6L30-050003	DUST-PROOF COVER	1	
F05-11	6AQV-050010-1000	ANTI-DUST RING	2	
F05-12	6L30-050200	STEERING BEARING ASSY	2	
F05-13	6AQV-050300-6000	LOWER TRIPLE CLAMP ASSY	1	

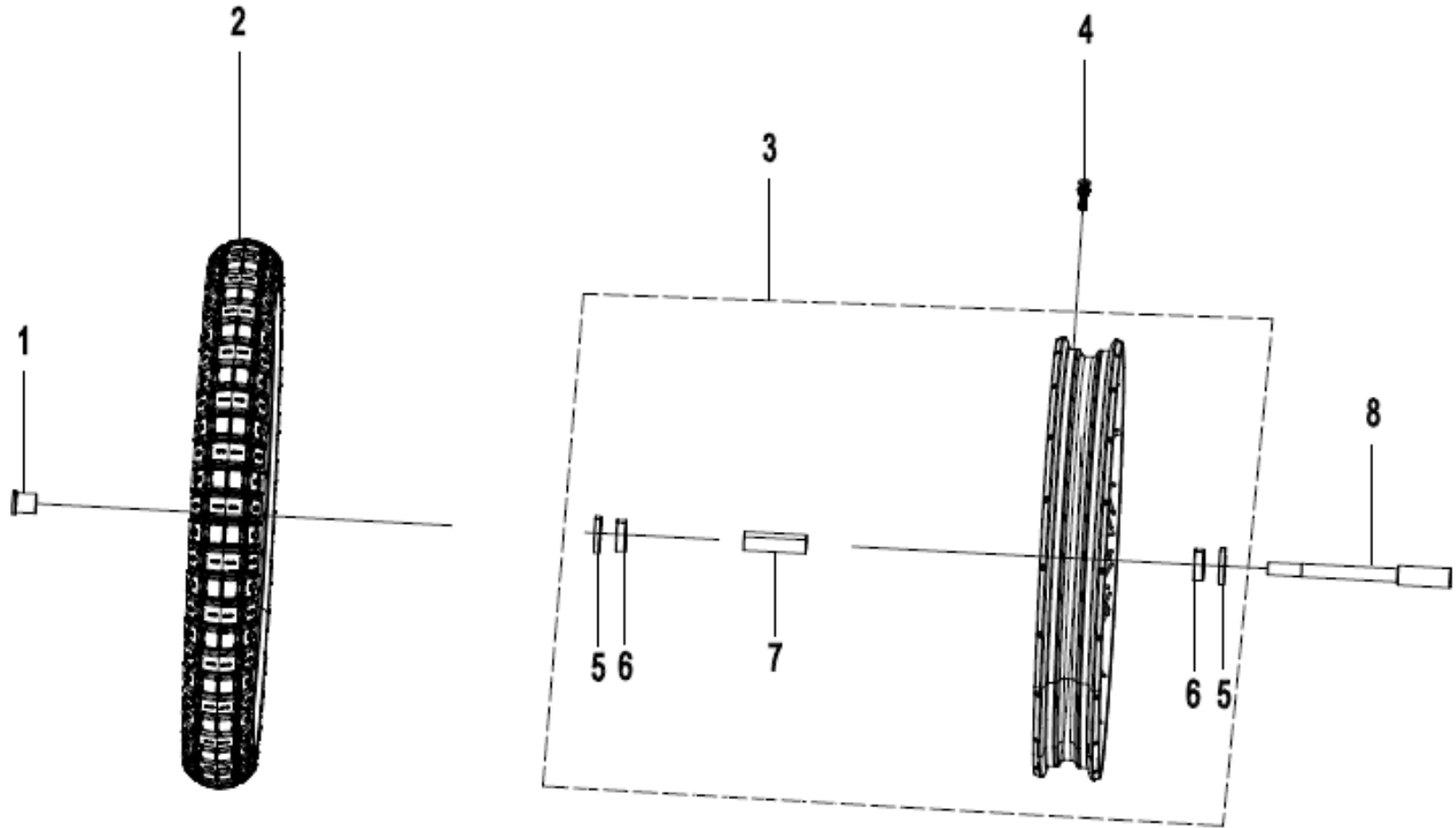
# F06 后悬架 REAR SUSPENSION

## 后悬架/REAR SUSPENSION



Item No.	Parts Number	Parts Name(EN)	Qty	Remarks
F06-01	6AQV-060007-1000	REAR FORK SHAFT	1	
F06-02	6WWV-060030-5000-10	OIL SEAL	4	
F06-03	6WWV-060002-5000	BUSHING, REAR SWING ARM	4	
F06-04	30403-02200	BEARING 22X28X12	4	ALT:- 30403-02280
F06-05	6WWV-060003-5000	LINER, REAR SWING ARM	2	
F06-06	6WWV-060004-5000	WASHER, REAR SWING ARM	2	
F06-07	6AQV-060009-1002	TIE ROD BOLT M10X130	1	
F06-08	6AQV-060301-6000	REAR FORK	1	
F06-09	6NT1-060003	DUST CAP, SMALL	5	
F06-10	6L30-060013	CHAIN ADJUSTER LOCK NUT	2	
F06-11	6L30-060002	CHAIN ADJUSTING BOLT	2	
F06-12	6AQV-060004-6000	RH CHAIN ADJUSTER	1	
F06-13	6AQV-060003-6000	LH CHAIN ADJUSTER	1	
F06-14	6AQV-060002-6000	CHAIN GUARD	1	
F06-15	6WWV-046602-5000	INNER HEX STEPPED SCREW M6x14	4	
F06-16	6AQV-060004-1002	REAR SHOCK ABSORBER BOLT M10X50	2	
F06-17	30204-102110	NUT M10x1.25	2	ALT:- 30204-102810
F06-18	6AQV-060100-6000-M1	REAR SHOCK ABSORBER	1	
F06-19	30204-122810	NUT M12X1.25	2	
F06-20	6AQV-060304-3000	WASHER	1	
F06-21	6AQV-060302-3000	BUSHING	1	
F06-22	6AQV-060303-3000	A-SHAPE SWING ARM BOLT M12X110	1	
F06-23	6AQV-060504-1000	RETAINER	2	
F06-24	6AQV-060500-6000	A-SHAPE SWING ARM ASSY	1	
F06-25	6AQV-060307-3000	A-SHAPE SWING ARM BOLT M12X103	1	
F06-26	6AQV-060600-6000	TIE-ROD ASSY	1	
F06-27	6AQV-060005-1000	SPACER, TIE ROD	1	

# F07 前轮 FRONT WHEEL

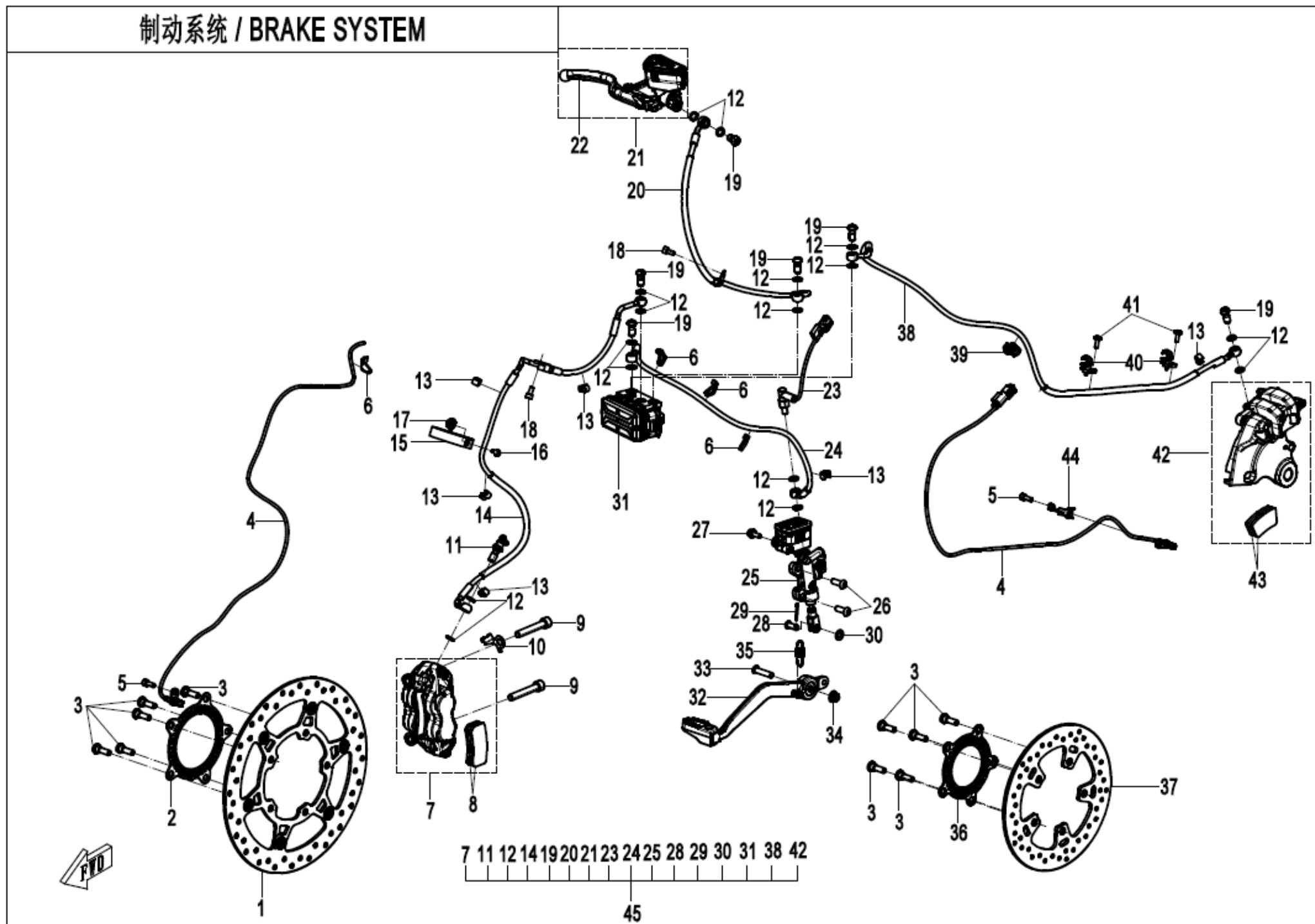


Item No.	Parts Number	Parts Name(EN)	Qty	Remarks
F07-01	6AQV-070002-1000	FRONT WHEEL SHAFT BUSHING	1	
F07-02	30705-2103	TIRE	1	
F07-03	6AQV-070100-6000-M1	FRONT RIM ASSY	1	
F07-04	6WWV-070300-5000-M1	VALVE, INFLATION	1	
F07-05	6AQV-070104-6000-20	OIL SEAL	2	
F07-06	30400-01785	BEARING	2	
F07-07	6AQV-070105-6000-M1	FRONT WHEEL MIDDLE SPACER	1	
F07-08	6AQV-070003-1001	FRONT WHEEL SHAFT	1	



# F08 制动系统 BRAKE SYSTEM

## 制动系统 / BRAKE SYSTEM

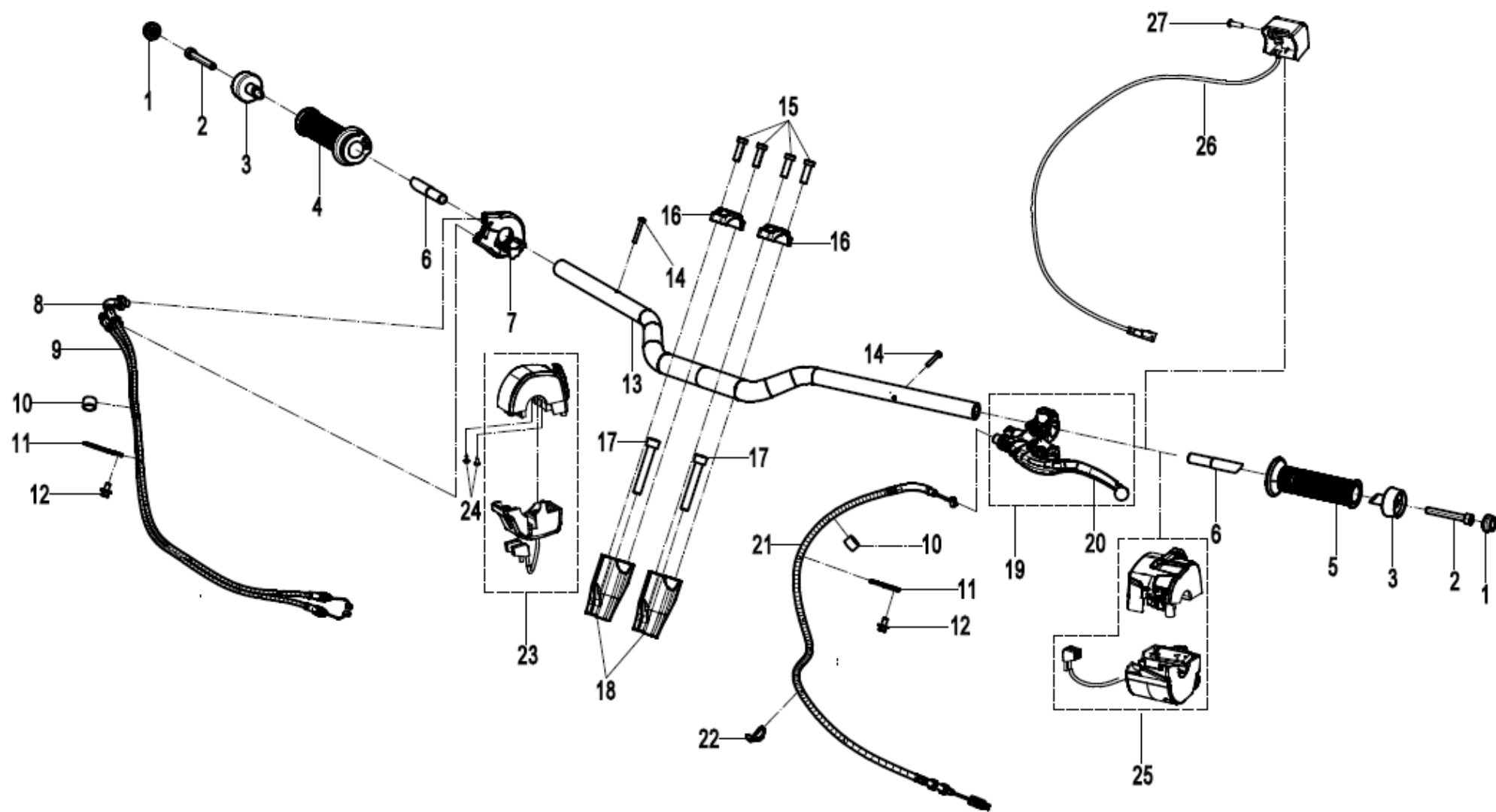


Item No.	Parts Number	Parts Name(EN)	Qty	Remarks
F08-01	6AQV-080001-1000-M1	FRONT BRAKE DISC	1	
F08-02	6AQV-080002-1000	"FRONT GEAR RING	1	
F08-03	6KJ0-080005	FRONT BRAKE DISC BOLT	10	
F08-04	6L30-080020	SPEED SENSOR, FRONT WHEEL	2	
F08-05	30102-060016870	SCREW M6x16	2	
F08-06	8010-150003	TIE 5X250	4	
F08-07	6WWV-081200-5001	FRONT RH BRAKE CALIPER	1	
F08-08	6GUV-0811A0-6000	FRONT BRAKE PAD ASSY	1	
F08-09	30102-102060810	SCREW M10x1.25x60	2	
F08-10	6AQV-081002-1000	WIRE CLIP, FRONT SPEED SENSOR	1	
F08-11	6GU#-081000-6000-22	BANJO BOLT 1	1	
F08-12	A000-080102-2000	WASHER	16	
F08-13	6KJ0-080003-00001	"BRAKE HOSE CLIP	6	
F08-14	6AQV-081600-6001	FRONT BRAKE FLUID INLET PIPE ASSY	1	
F08-15	6AQV-080002-6000	BRAKE FLUID PIPE CLASP	1	
F08-16	30006-050020810	BOLT M5X20	1	
F08-17	30200-050810	NUT M5	1	
F08-18	30102-060012810	SCREW M6X12	2	
F08-19	6GU#-081000-6000-23	BANJO BOLT 2	6	
F08-20	6AQV-081500-6000	FRONT BRAKE FLUID OUTLET PIPE ASSY	1	
F08-21	6AQV-081100-6001-M1	FRONT BRAKE MASTER CYLINDER ASSY	1	
F08-22	6WWV-080110-5000-24	HANDLE	1	
F08-23	6NTV-081070-9300-M1	REAR BRAKE LIGHT SWITCH	1	
F08-24	6AQV-081800-6000	REAR BRAKE FLUID OUTLET PIPE ASSY	1	
F08-25	6AQV-081400-6001-M1	REAR BRAKE MASTER CYLINDER	1	
F08-26	6GUV-080001-7000	SCREW	2	ALT:- C90709062000
F08-27	30006-060016810	BOLT M6X16	1	ALT:- 30006-060016870
F08-28	A000-080216-2000	PIN SHAFT	1	
F08-29	A000-080233-2000	PIN	1	
F08-30	A000-080234-2000	WASHER 8	1	
F08-31	6AQV-081200-6000-M1	MAB EXECUTION UNIT	1	
F08-32	6AQV-080300-6000	REAR BRAKE PEDAL ASSY	1	
F08-33	30121-080035860	SCREW M8X35	1	
F08-34	30204-080810	LOCK NUT M8	1	

Item No.	Parts Number	Parts Name(EN)	Qty	Remarks
F08-35	6KMV-080005-C000	RETURN SPRING	1	
F08-36	6GU#-090002-6001	REAR GEAR RING	1	
F08-37	6NQV-080006-2600	REAR BRAKE DISC	1	
F08-38	6AQV-081900-6000	REAR BRAKE FLUID INLET PIPE ASSY	1	
F08-39	6L30-080006	WIRE CLIP 2, BRAKE FLUID HOSE	1	
F08-40	6L30-080005	WIRE CLIP 1, BRAKE FLUID HOSE	2	
F08-41	6WWV-047102-5000	INNER HEX SCREW M5x14	2	
F08-42	6AQV-081700-6000	REAR BRAKE CALIPER ASSY	1	
F08-43	A000-0801D0	REAR BRAKE PAD	1	
F08-44	6AQV-081003-1000	WIRE CLIP, REAR SPEED SENSOR	1	
F08-45	6AQV-081000-6001	ABS BRAKE ASSY	1	

# F10 转向系统 STEERING SYSTEM

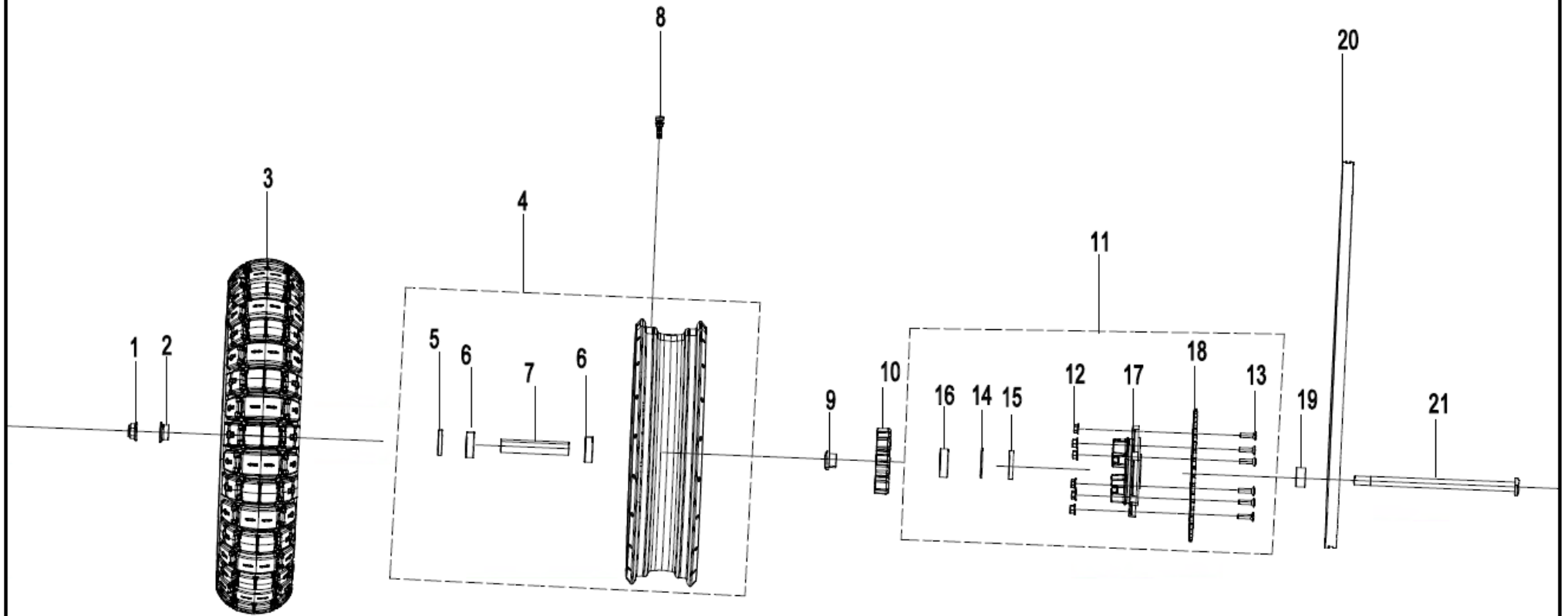
## 转向系统 / STEERING SYSTEM



Item No.	Parts Number	Parts Name(EN)	Qty	Remarks
F10-01	6NT1-100001	BUSHING, HAND GUARD	2	
F10-02	30102-080060810	SCREW M8x60	2	
F10-03	6AQV-100301-6000	BALANCER	2	
F10-04	6AQV-100010-6000	RH GRIP	1	
F10-05	6AQV-100001-6000	LH GRIP	1	
F10-06	6WWV-100304-5000	BALANCING WEIGHT 1	2	
F10-07	6AQV-100700-6000	THROTTLE LEVER ASSY	1	
F10-08	6AQV-100400-6001	THROTTLE CABLE	1	
F10-09	6AQV-100500-6001	ADJUSTABLE THROTTLE CABLE	1	
F10-10	6KJ0-100002	CLUTCH PULL BINDING	2	
F10-11	6AQV-100601-6000	CABLE HOOK	2	
F10-12	30006-060010810	BOLT M6X10	2	
F10-13	6AQV-100100-6001	HANDLEBAR PIPE	1	
F10-14	30105-040030410	SCREW M4X30	2	
F10-15	6WWV-050009-5000	SCREW M8x25	4	
F10-16	6WWV-050003-5000-10	PRESS COVER, HANDLEBAR (BLACK ANODIZED)	2	
F10-17	30102-102060810	SCREW M10x1.25x60	2	
F10-18	6WWV-050002-5000-10	SEAT, HANDLEBAR (BLACK ANODIZED)	2	
F10-19	6WWV-100200-5003	CLUTCH LEVER ASSY	1	
F10-20	6WWV-100201-5000	CLUTCH LEVER	1	
F10-21	6AQV-100600-6000	CLUTCH CABLE	1	
F10-22	8010-150003	TIE 5X250	1	
F10-23	6AQV-167000-7100	RH HANDLEBAR SWITCH ASSY	1	
F10-24	30137-250120010	SCREW ST2.5X12	2	
F10-25	6AQV-166000-7101	LH HANDLEBAR SWITCH ASSY	1	
F10-26	6AQV-169470-6000	ABS SWITCH	1	
F10-27	30105-040008470	SCREW	1	

F11 后轮 REAR WHEEL

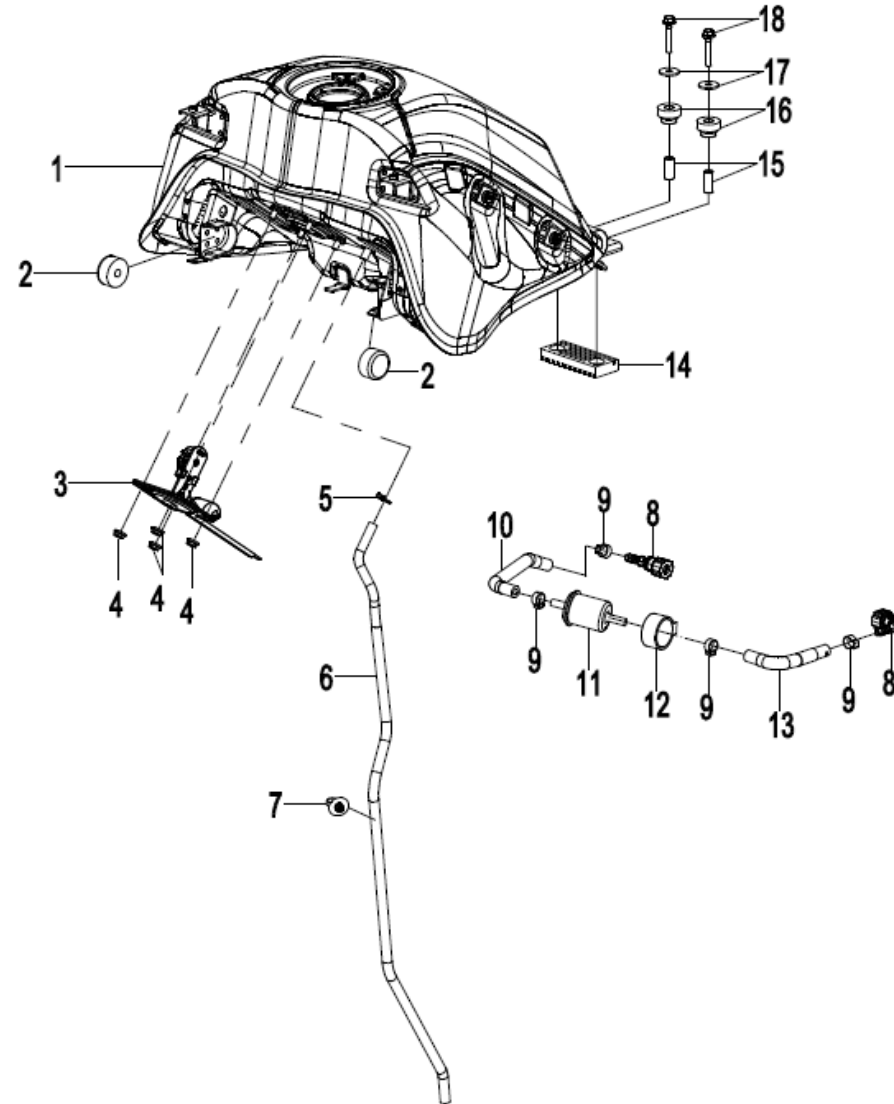
后轮/REAR WHEEL



Item No.	Parts Number	Parts Name(EN)	Qty	Remarks
F11-01	6AQV-060006-1000-M1	NUT M16X1.5	1	
F11-02	6AQV-110004-1000	REAR WHEEL RH SHAFT BUSHING	1	
F11-03	30705-1804	TIRE	1	
F11-04	6AQV-110100-6000-M1	REAR RIM ASSY	1	
F11-05	6AQV-110104-6000-20	OIL SEAL	1	
F11-06	30400-01784	BEARING	2	
F11-07	6AQV-110105-6000-M1	REAR WHEEL MIDDLE SPACER	1	
F11-08	6WWV-070300-5000-M1	VALVE, INFLATION	1	
F11-09	6AQV-110005-1001	SHAFT BUSHING, SPROCKET SEAT	1	
F11-10	6L30-110003	DAMPER, SPROCKET	6	
F11-11	6AQV-110300-6000	SEAT, SPROCKET	1	
F11-12	30204-080810	LOCK NUT M8	6	
F11-13	6AQV-110300-1000-22	BOLT	6	
F11-14	30800-05205	CIRCLIP FOR HOLE 52	1	
F11-15	6AQV-110300-1000-21	OIL SEAL	1	
F11-16	6AQV-110300-1000-20	BEARING	1	
F11-17	6AQV-110301-1001	SPROCKET SEAT	1	
F11-18	6AQV-110005-6000	REAR SPROCKET	1	
F11-19	6AQV-110003-4000	REAR WHEEL LH SHAFT BUSHING	1	
F11-20	3120913	CHAIN	1	
F11-21	6AQV-110007-6000	SHAFT, REAR WHEEL	1	

# F12 油箱 FUEL TANK

## 油箱/FUEL TANK

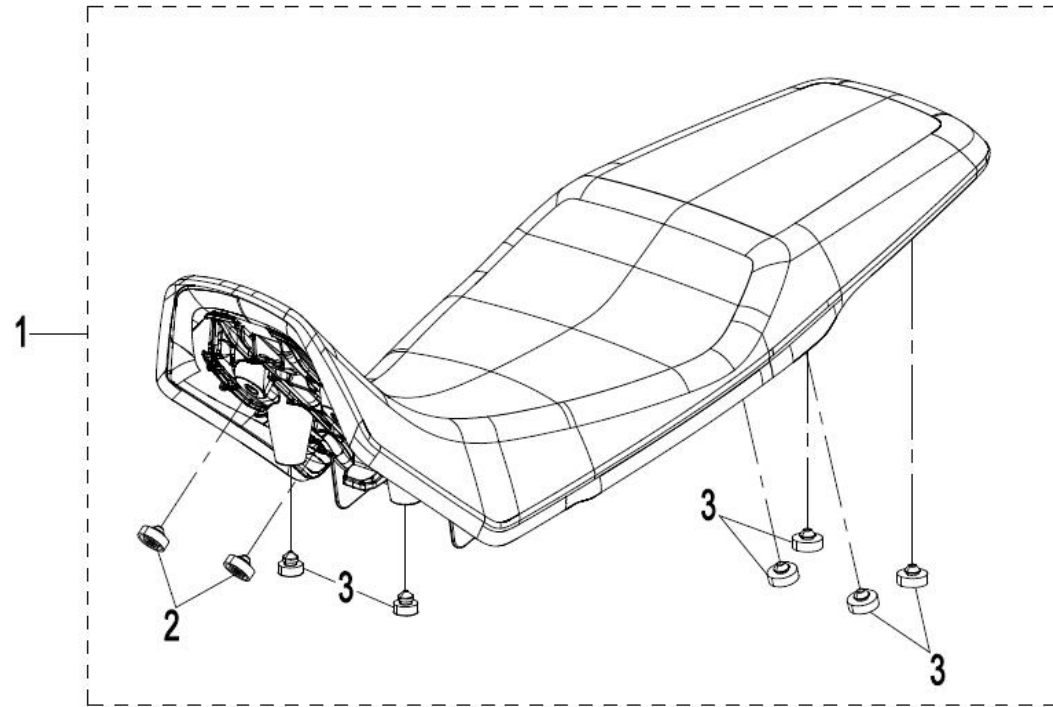




Item No.	Parts Number	Parts Name(EN)	Qty	Remarks
F12-01	6AQV-121000-6001-0BM00	FUEL TANK ASSY (NEBULA BLACK)	1	
F12-02	A000-120006	CUSHION MAT, FRONT FUEL TANK	2	
F12-03	6AQV-170200-6000-M1	FUEL LEVEL SENSOR	1	
F12-04	30202-060110	NUT M6	4	ALT:- 30204-060810
F12-05	30601-111010	CLAMP A11	1	
F12-06	6NQ0-120001	FUEL PIPE, FUEL TANK	1	
F12-07	7030-150005	TIE BAND	1	
F12-08	6090-120210	QUICK JOINT	2	
F12-09	6070-120400	CLAMP Dia. 14.5	4	
F12-10	6AQV-120010-6000	HIGH-PRESSURE FUEL HOSE ASSY 1	1	
F12-11	805A-120004	FUEL FILTER, EFI	1	
F12-12	6090-120221	RUBBER SLEEVE, FUEL FILTER, EFI	1	
F12-13	6AQV-120020-6000	HIGH-PRESSURE FUEL HOSE ASSY 2	1	
F12-14	6NQ#-120003-6000	RUBBER DAMPER BLOCK	1	
F12-15	6NQ#-120002-6000	BUSHING	2	
F12-16	6NQ#-120004-6000	RUBBER DAMPER	2	
F12-17	30301-060412	WASHER M6	2	
F12-18	30006-060035810	BOLT M6X35	2	

# F13 座垫 SEAT

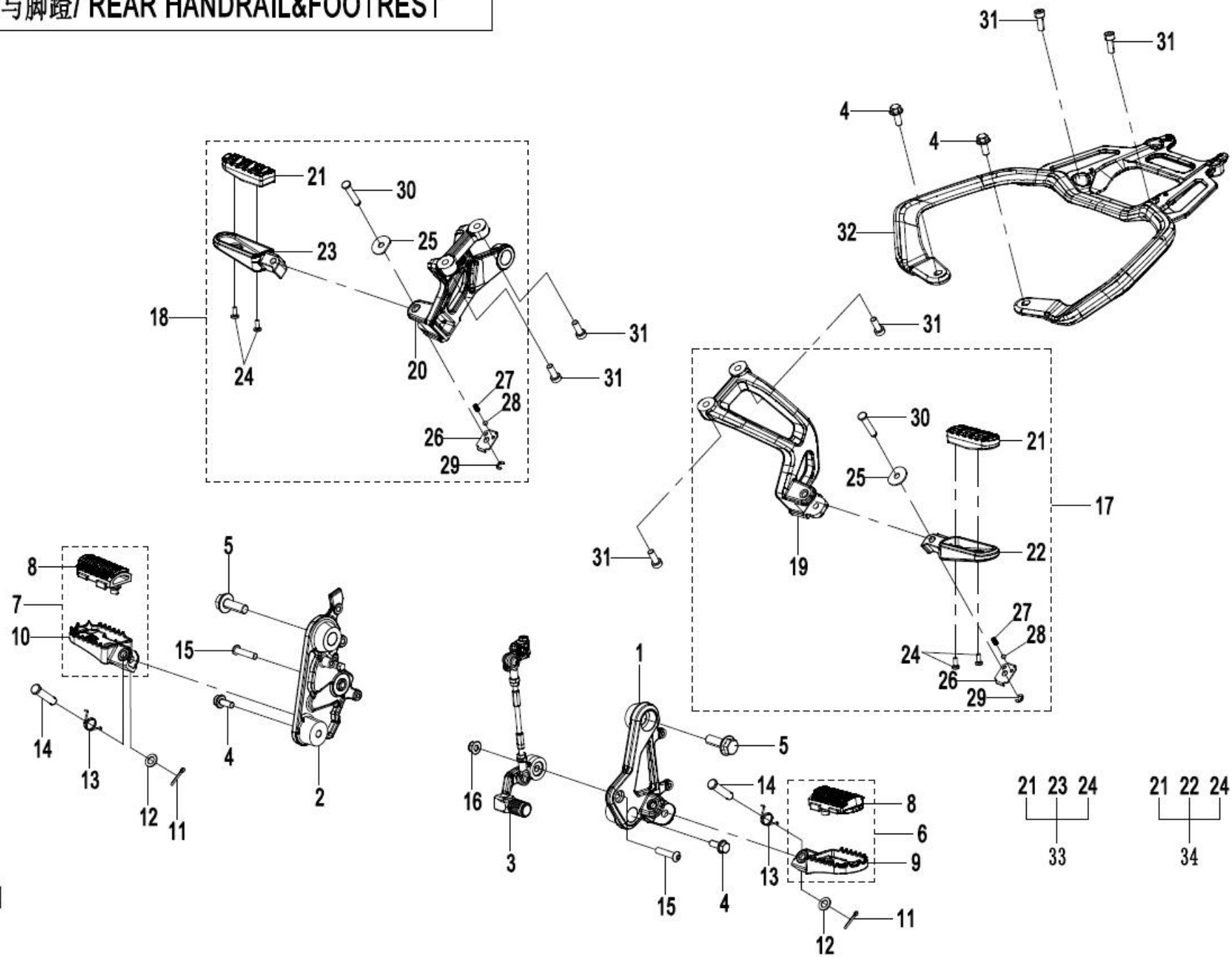
座垫/SEAT



Item No.	Parts Number	Parts Name(EN)	Qty	Remarks
F13-01	6AQV-130100-6001	SEAT ASSY	1	ZEPHYR BLUE
F13-01	6AQV-130100-6001-10	SEAT ASSY	1	TUNDRA GREY
F13-02	6KJ0-130204	RUBBER DAMPER	2	
F13-03	6KM0-130205	CUSHION RUBBER WAHSER	6	

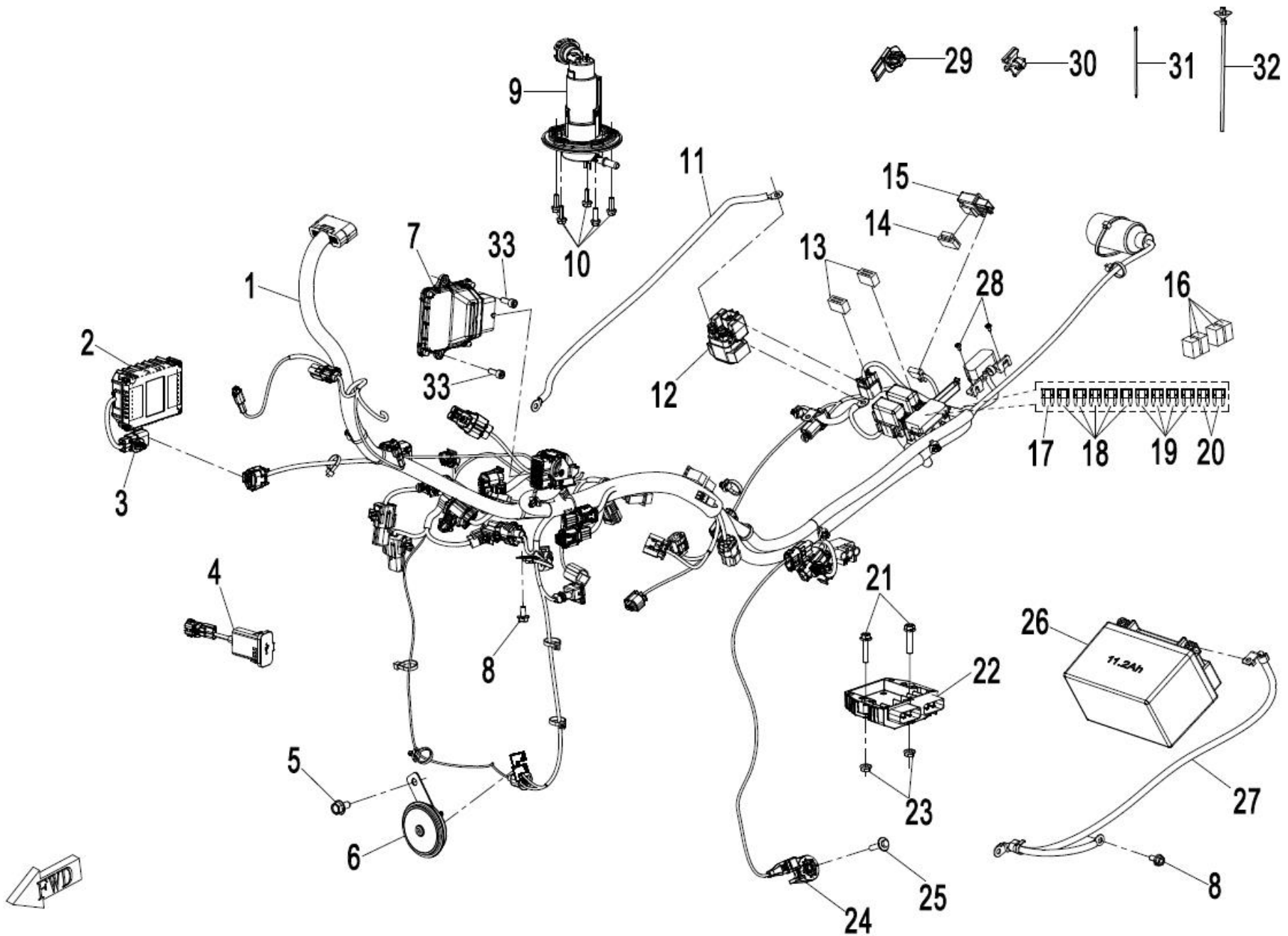
# F14 后扶手与脚蹬 REAR HANDRAIL&FOOTREST

## 后扶手与脚蹬/ REAR HANDRAIL&FOOTREST



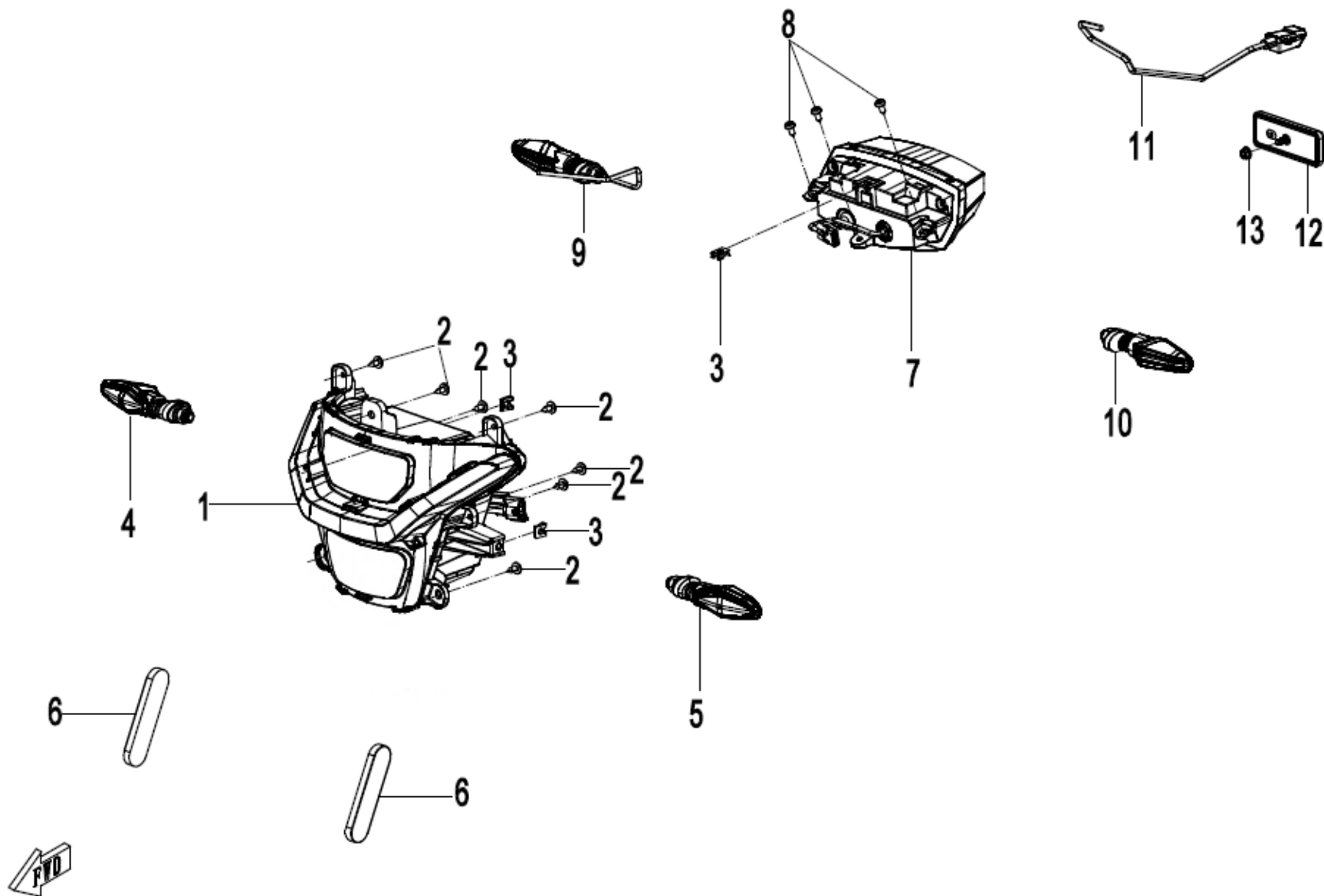
Item No.	Parts Number	Parts Name(EN)	Qty	Remarks
F14-01	6AQV-140600-6000	BRACKET, LH FRONT FOOTREST	1	
F14-02	6AQV-140700-6000	BRACKET ASSY, RH FRONT FOOTREST	1	
F14-03	6AQV-141000-6000	SHIFT LEVER CONNECTING KIT	1	
F14-04	30006-080020810	BOLT M8X20	4	
F14-05	0800-014009-00002	BOLT	2	
F14-06	6AQV-140800-6000	LH FRONT FOOTREST BOARD	1	
F14-07	6AQV-140900-6000	RH FRONT FOOTREST BOARD	1	
F14-08	6AQV-140810-6000	FRONT FOOTREST SEAT RUBBER	2	
F14-09	6AQV-140820-6000	FRONT LH FOOTREST SEAT	1	
F14-10	6AQV-140920-6000	FRONT RH FOOTREST SEAT	1	
F14-11	30903-0322210	COTTER PIN 3.2X22	2	
F14-12	30300-100112	WASHER M10	2	
F14-13	6L3V-140103-4200	SPRING	2	
F14-14	6WWV-140141-5000	PIN SHAFT	2	
F14-15	30121-080035860	SCREW M8X35	2	
F14-16	30204-080810	LOCK NUT M8	1	
F14-17	6AQV-140200-6000	LH REAR FOOTREST	1	
F14-18	6AQV-140300-6000	RH REAR FOOTREST	1	
F14-19	6AQV-140210-6000	REAR LH FOOTREST SEAT	1	
F14-20	6AQV-140310-6000	REAR RH FOOTREST SEAT	1	
F14-21	6GU#-140080-6000	RUBBER, REAR FOOTREST BOARD	2	
F14-22	6GU#-140041-6000-0BP00	REAR LH FOOTREST SEAT (MAUD SPIRIT BLACK)	1	
F14-23	6GU#-140051-6000-0BP00	REAR RH FOOTREST SEAT (MAUD SPIRIT BLACK)	1	
F14-24	30105-050014470	SCREW M5X14	4	
F14-25	A000-140106	LOCATING GASKET 2	2	
F14-26	A000-140104	LOCATING GASKET 1	2	
F14-27	5190-037813	SPRING	2	
F14-28	5190-037814	STEEL BALL	2	
F14-29	30802-00603	CIRCLIP 6	2	ALT:- 30802-00605
F14-30	A000-140142	PIN SHAFT Dia 8	2	
F14-31	30102-080020810	SCREW M8x20	6	
F14-32	6AQV-140100-6000-0VN00	REAR ARMREST (NEW SILVER WHITE)	1	
F14-33	6GU#-1400B0-6000-0BP00	RUBBER, RH REAR FOOTREST BOARD (MAUD SPIRIT BLACK)	1	
F14-34	6GU#-1400A0-6000-0BP00	RUBBER, LH REAR FOOTREST BOARD (MAUD SPIRIT BLACK)	1	

电器系统/ELECTRIC SYSTEM



Item No.	Parts Number	Parts Name(EN)	Qty	Remarks
F15-01	6AQV-150100-6000	MAIN CABLE	1	
F15-02	SN1V-691100-1101-11	T-BOX	1	
F15-03	CFCV-CBC005-2000-M1	CLIP	1	
F15-04	FA8V-150600-1000-10	USB OUTPUT SOCKET ASSY	1	
F15-05	30006-080016870	BOLT M8X16	1	
F15-06	6FIV-150600-7000	HORN	1	
F15-07	6AQV-001000-6000	ECU ASSY	1	
F15-08	30006-060012810	BOLT M6X12	2	ALT:- 30006-060012870
F15-09	6AQV-150900-4001	FUEL PUMP ASSY	1	
F15-10	30006-050020810	BOLT M5X20	5	
F15-11	6AQV-150310-1000	POSITIVE CABLE, STARTER MOTOR	1	
F15-12	6AQV-150510-6000	RELAY, STARTER	1	
F15-13	6100-150500	RUBBER SLEEVE, FLASHER	2	
F15-14	8010-150002	CUSHION WASHER, FLASHER	1	
F15-15	6FIA-150340-6400	FLASHER	1	
F15-16	5BY4-150330	AUXILIARY RELAY	4	
F15-17	806A-151302	FUSE 10A	1	
F15-18	806A-151305	FUSE 15A	5	
F15-19	8010-151301	FUSE 5A	4	
F15-20	806A-151301	FUSE 7.5A	2	
F15-21	30006-060030810	BOLT M6X30	2	
F15-22	6NTV-151000-3000	REGULATOR	1	
F15-23	30202-060110	NUT M6	2	
F15-24	6KMV-151500-3000	SIDE STAND SWITCH	1	
F15-25	8010-090005	BOLT M6x16	1	
F15-26	83200-0000-750006	BATTERY	1	ALT:- AC-TTZ14S (HW)
F15-27	6AQV-150420-6000	NEGATIVE CABLE, BATTERY	1	
F15-28	30110-421130010	SELF-TAPPING SCREW ST4.2X13	2	
F15-29	6GU#-150001-6000-M1	CLASP	1	
F15-30	6AQV-150001-1000-M1	CLIP	2	
F15-31	8010-150003	TIE 5X250	13	
F15-32	801F-100101	TIE BAND	3	
F15-33	30102-060016810	SCREW M6X16	2	

灯具/ LIGHTS

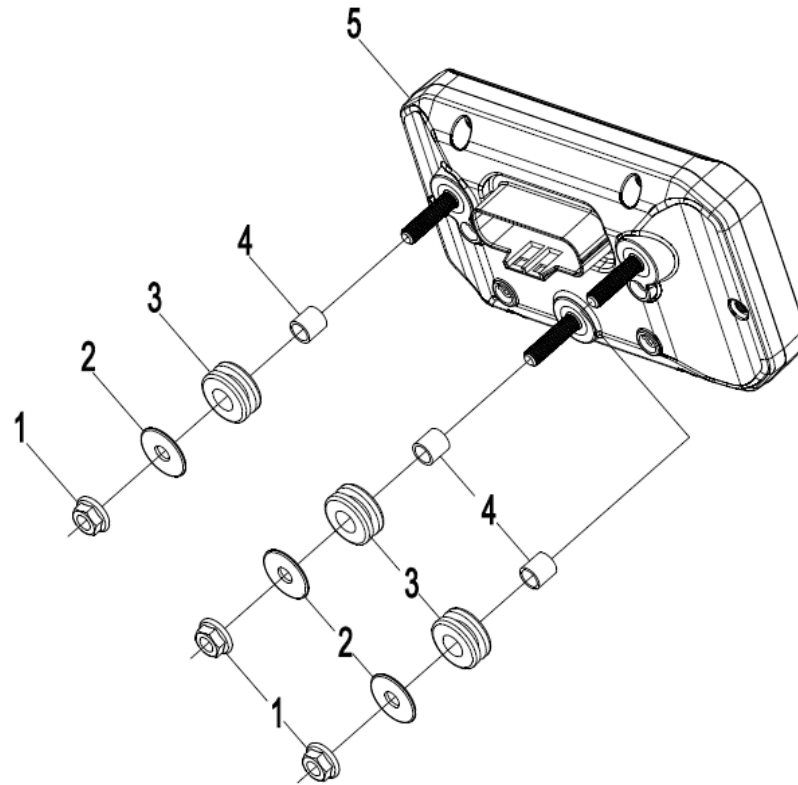


Item No.	Parts Number	Parts Name(EN)	Qty	Remarks
F16-01	6AQV-160110-6000	HEADLIGHT	1	
F16-02	30110-420130070	SELF-TAPPING SCREW ST4.2X13	7	
F16-03	6KM#-040081-8000-M1	NUT CLIP M5	3	
F16-04	6KWV-160540-1000	RH REAR TURN LIGHT ASSY	1	
F16-05	6KWV-160530-1000	LH REAR TURN LIGHT ASSY	1	
F16-06	6KM#-050030-8100	SIDE REFLECTOR	2	
F16-07	6WWV-160200-5001-10	TAIL LIGHT ASSY	1	
F16-08	30110-481130010	SELF-TAPPING SCREW ST4.8X13	3	
F16-09	6AQV-160540-6000	RH REAR TURN LIGHT ASSY	1	
F16-10	6AQV-160530-6000	LH REAR TURN LIGHT ASSY	1	
F16-11	6KMV-160600-M000	LICENCE LIGHT	1	
F16-12	6WWV-160230-5000	REAR REFLECTOR	1	
F16-13	30202-050110	NUT M5	1	M5



# F17 仪表 DASHBOARD

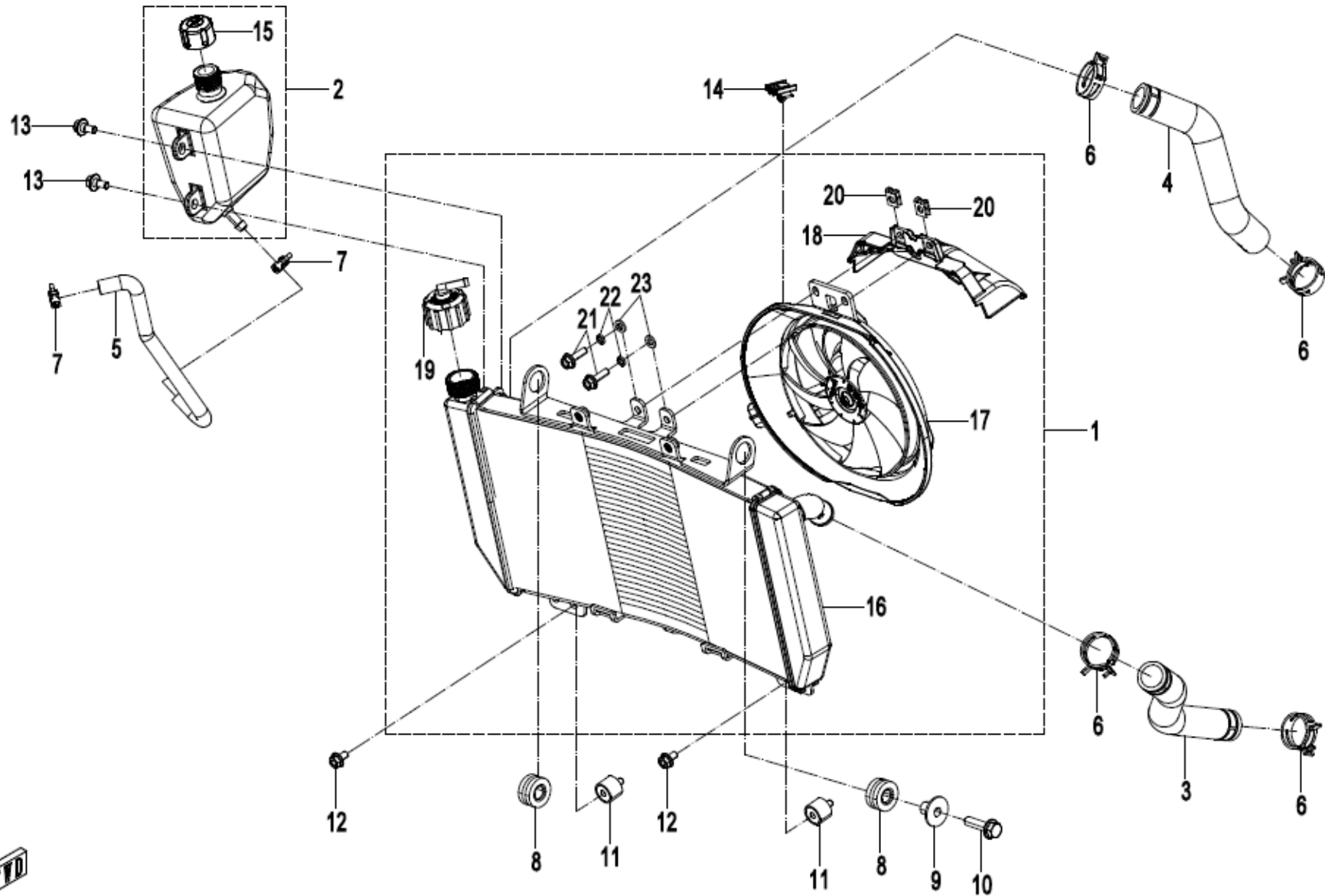
## 仪表/DASHBORD ASSY



Item No.	Parts Number	Parts Name(EN)	Qty	Remarks
F17-01	30202-060110	NUT M6	3	ALT:-30204-060810
F17-02	30305-060112	WASHER M6	3	
F17-03	6090-040302	CUSHION SLEEVE	3	
F17-04	6090-040303	BUSHING	3	
F17-05	6AQV-171000-6100	DASHBOARD	1	

# F18 冷却系统 COOLING SYSTEM

## 冷却系统/ COOLING SYSTEM



Item No.	Parts Number	Parts Name(EN)	Qty	Remarks
F18-01	6AQV-181000-6000	FAN ASSY, RADIATOR	1	
F18-02	6AQV-180100-6000	RESERVOIR ASSY	1	
F18-03	6AQV-180001-6000	WATER INLET HOSE, RADIATOR	1	
F18-04	6AQV-180002-6000	WATER OUTLET HOSE, RADIATOR	1	
F18-05	6AQV-180003-6000	CONNECTING PIPE, RESERVOIR TANK	1	
F18-06	30601-229060	CLAMP	4	
F18-07	30601-212570	CLAMP	2	
F18-08	A000-180005	RADIATOR SHOCK ABSORBER RUBBER 2	2	
F18-09	A000-180010-20000	RADIATOR RUBBER DAMPER 2 BUSHING	1	
F18-10	30006-080030870	BOLT M8X30	1	
F18-11	C90705062000	THREADED DAMPING RUBBER	2	
F18-12	30006-060010810	BOLT M6X10	2	
F18-13	8010-000004	BOLT M6x14	2	
F18-14	CFCV-CAC002-2000-M1	CLIP	1	
F18-15	6AQV-180110-4000	RESERVOIR CAP ASSY	1	
F18-16	6AQV-181100-6000	RADIATOR ASSY	1	
F18-17	6AQV-181200-6000	FAN MOTOR ASSY	1	
F18-18	6AQV-181000-6000-21	AIR DEFLECTOR	1	
F18-19	6GUV-181010-6001	FILLER CAP ASSY	1	
F18-20	8030-040800-00001	NUT CLIP M6	2	
F18-21	30006-060020810	BOLT M6X20	2	ALT:- 30006-060020870
F18-22	30303-060112	WASHER M6	2	
F18-23	30306-060142	WASHER	2	

F19-1 标贴 LABEL

1



3



4



Item No.	Parts Number	Parts Name(EN)	Qty	Remarks
F19-1-01	6AQV-190006-6000-10	MODEL DECAL	2	
F19-1-03	6KJC-190012-8000	VEHICLE PLATE	1	
F19-1-04	6WWV-190001-5000	CFMOTO STICKER	1	

# F19-2-A 个性贴花总成(春风蓝) DECAL KITS(ZEPHYR BLUE)

## CF400-8春风蓝配色贴花 6AQV-190100-6000-10 个性贴花总成



刀模线(半模线) 覆膜线(定位线)

PP黑 哑光黑 奥斯汀粉 星光黑 星光白 速感灰 150%速感灰 深空灰 电镀银

01

工件: 散热器左护板, 材料: PP  
工件颜色: 星光白 亮光面  
粘贴方式: 外贴



02

工件: 散热器右护板, 材料: PP  
工件颜色: 星光白 亮光面  
粘贴方式: 外贴



03

工件: 散热器左护板, 材料: PP  
工件颜色: 星光白 亮光面  
粘贴方式: 外贴

CFMOTO  
星光黑

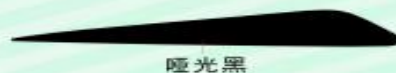
04

工件: 散热器右护板, 材料: PP  
工件颜色: 星光白 亮光面  
粘贴方式: 外贴

CFMOTO  
星光黑

05

工件: 油箱左护板, 材料: PP  
工件颜色: 春风蓝 亮光面  
粘贴方式: 外贴



06

工件: 油箱右护板, 材料: PP  
工件颜色: 春风蓝 亮光面  
粘贴方式: 外贴



07

工件: 前挡泥板左饰板, 材料: PA6+GF15  
工件颜色: 雾银黑 哑光面  
粘贴方式: 外贴



08

工件: 前挡泥板右饰板, 材料: PA6+GF15  
工件颜色: 雾银黑 哑光面  
粘贴方式: 外贴



11 前左/右减震器 材料: 铝材6061  
外贴, 贴花表面为哑光

KYB x2

09

工件: 大灯罩板, 材料: PA6+GF15  
工件颜色: 紫色 皮纹件  
粘贴方式: 外贴



10

工件: 大灯罩板, 材料: PA6+GF15  
工件颜色: 紫色 皮纹件  
粘贴方式: 外贴



Item No.	Parts Number	Parts Name(EN)	Qty	Remarks
F19-2-A-01	6AQV-190101-6000-10	RADIATOR LH PANEL DECAL	1	
F19-2-A-02	6AQV-190102-6000-10	RADIATOR RH PANEL DECAL	1	
F19-2-A-03	6AQV-190103-6000-10	CFMOTO STICKER 1	1	
F19-2-A-04	6AQV-190104-6000-10	CFMOTO STICKER 2	1	
F19-2-A-05	6AQV-190105-6000-10	DECAL, FUEL TANK LH PANEL	1	
F19-2-A-06	6AQV-190106-6000-10	DECAL, FUEL TANK RH PANEL	1	
F19-2-A-07	6AQV-190107-6000-10	ABS DECAL	1	
F19-2-A-08	6AQV-190108-6000-10	ABS DECAL	1	
F19-2-A-09	6AQV-190109-6000-10	HEADLIGHT PANEL DECAL	1	
F19-2-A-10	6AQV-190110-6000-10	HEADLIGHT PANEL DECAL 2	1	
F19-2-A-11	6AQV-190111-6000-10	KYB DECAL	2	

# F19-2-B 个性贴花总成(几何灰) DECAL KITS(TUNDRA GREY)

## CF400-8几何灰配色贴花 6AQV-190100-6000-11 个性贴花总成



刀模线(半模线)

覆膜线(定位线)

PP黑 深空灰 荧光黄 星光黑 电镀银 几何灰 PANTONE 432C PANTONE 433C

01 工件: 散热器左护板, 材料: PP  
工件颜色: 几何灰 亮光面  
粘贴方式: 外贴



02 工件: 散热器右护板, 材料: PP  
工件颜色: 几何灰 亮光面  
粘贴方式: 外贴



03 工件: 散热器左护板, 材料: PP  
工件颜色: 几何灰 亮光面  
粘贴方式: 外贴

CFMOTO  
星光黑

04 工件: 散热器右护板, 材料: PP  
工件颜色: 几何灰 亮光面  
粘贴方式: 外贴

CFMOTO  
星光黑

09 前左/右减震器, 材料: 铝材6061  
外贴, 贴花表面为亮光

KYB x2  
星光黑

05 工件: 前挡泥板左饰板, 材料: PA6+GF15  
工件颜色: 雾银黑 哑光面  
粘贴方式: 外贴



06 工件: 前挡泥板右饰板, 材料: PA6+GF15  
工件颜色: 雾银黑 哑光面  
粘贴方式: 外贴



07 工件: 大灯面板, 材料: PA6+GF15  
工件颜色: 黑色 皮纹件  
粘贴方式: 外贴



08 工件: 大灯面板, 材料: PA6+GF15  
工件颜色: 黑色 皮纹件  
粘贴方式: 外贴

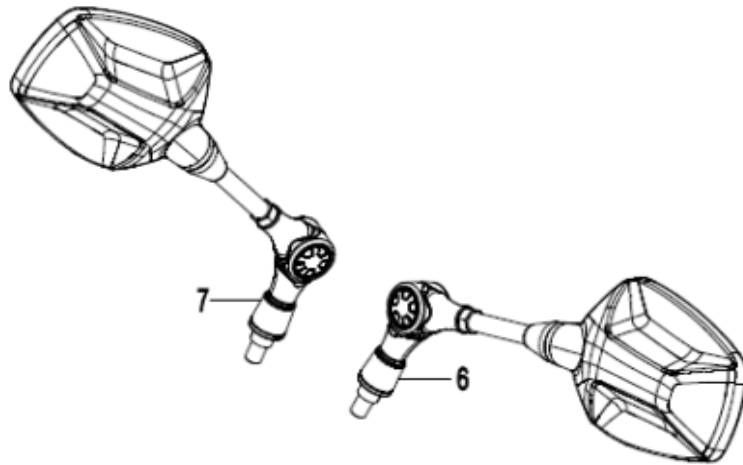


Item No.	Parts Number	Parts Name(EN)	Qty	Remarks
F19-2-B-01	6AQV-190101-6000-11	RADIATOR LH PANEL DECAL	1	
F19-2-B-02	6AQV-190102-6000-11	RADIATOR RH PANEL DECAL	1	
F19-2-B-03	6AQV-190103-6000-10	CFMOTO STICKER 1	1	
F19-2-B-04	6AQV-190104-6000-10	CFMOTO STICKER 2	1	
F19-2-B-05	6AQV-190105-6000-11	LH ABS DECAL	1	
F19-2-B-06	6AQV-190106-6000-11	RH ABS DECAL	1	
F19-2-B-07	6AQV-190107-6000-11	HEADLIGHT PANEL DECAL 1	1	
F19-2-B-08	6AQV-190108-6000-11	HEADLIGHT PANEL DECAL 2	1	
F19-2-B-09	6AQV-190109-6000-11	KYB DECAL	2	



# F20 随车工具 TOOLS

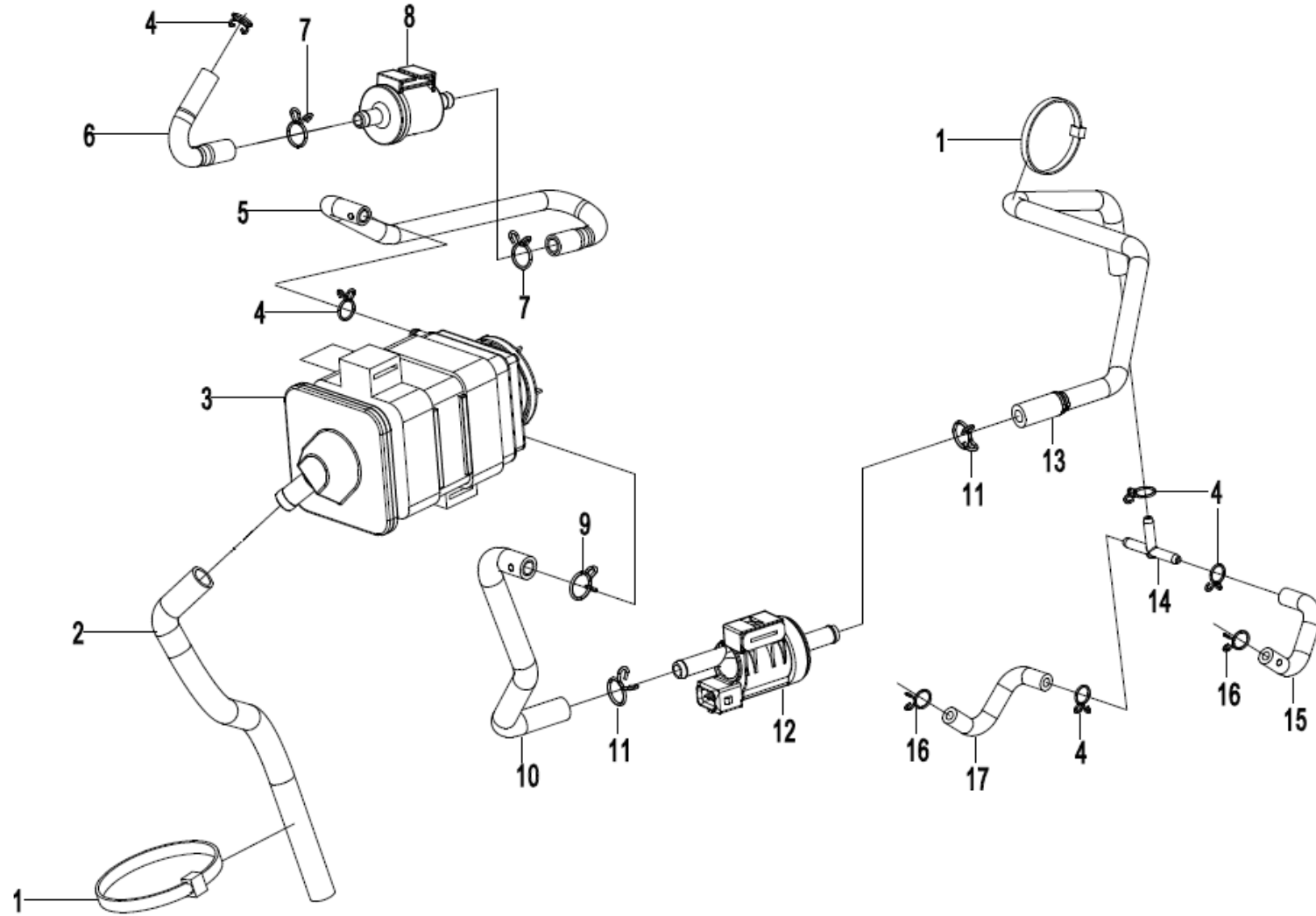
随车工具/ TOOLS



Item No.	Parts Number	Parts Name(EN)	Qty	Remarks
F20-06	6AQV-200300-6000	LH REAR VIEW MIRROR ASSY	1	
F20-07	6AQV-200400-6000	RH REAR VIEW MIRROR ASSY	1	

# F36 燃油蒸发系统 FUEL VAPORIZATOR SYSTEM

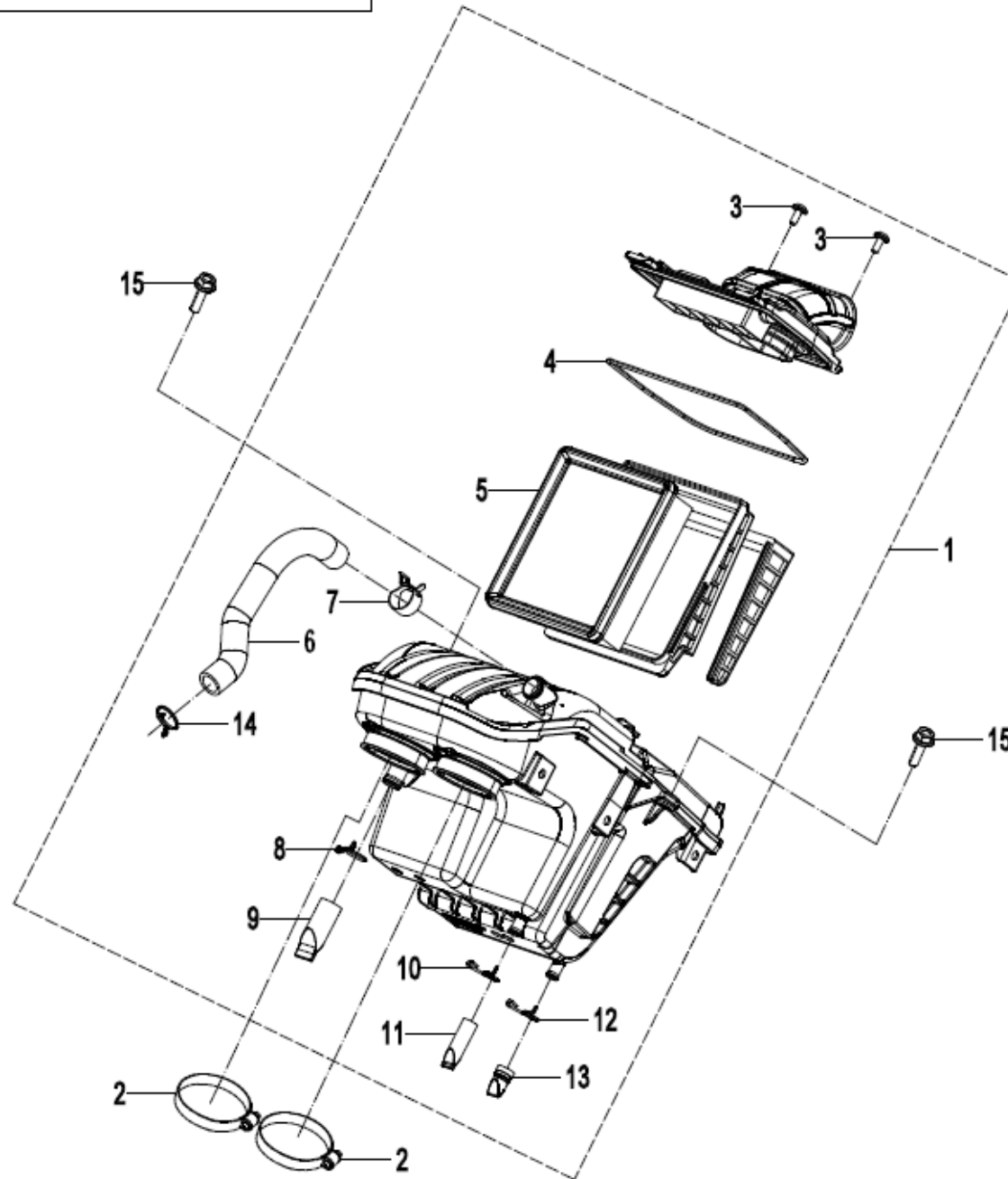
## 燃油蒸发系统/FUEL VAPORIZATOR SYSTEM



Item No.	Parts Number	Parts Name(EN)	Qty	Remarks
F36-01	8010-150003	TIE 5X250	2	
F36-02	A000-360006	AIR PIPE, CANISTER	1	
F36-03	6L30-360200	CANISTER	1	
F36-04	30601-109010	CLAMP A9	5	
F36-05	6AQV-360002-6000	FUEL VAPOR ADSORPTION HOSE 2	1	
F36-06	6AQV-360001-6000	FUEL VAPOR ADSORPTION HOSE 1	1	
F36-07	30601-110010	CLAMP A10	2	
F36-08	6WWV-360010-5000	"TWO-WAY VALVE	1	
F36-09	30601-111010	CLAMP A11	1	
F36-10	6AQV-360003-6000	FUEL VAPOR DESORPTION HOSE 1	1	
F36-11	30601-112010	CLAMP A12	2	
F36-12	1F3V-172000-1000	CANISTER MAGNETIC VALVE	1	
F36-13	6AQV-360004-6000	FUEL VAPOR DESORPTION HOSE 2	1	
F36-14	8010-360001	VACUUM T-JOINT	1	
F36-15	6AQV-360007-1000	LH FUEL VAPOR DESORPTION HOSE	1	
F36-16	30601-108010	CLAMP A8	2	
F36-17	6AQV-360008-1000	RH FUEL VAPOR DESORPTION HOSE	1	

F41 空滤器组 AIR FILTER ASSY

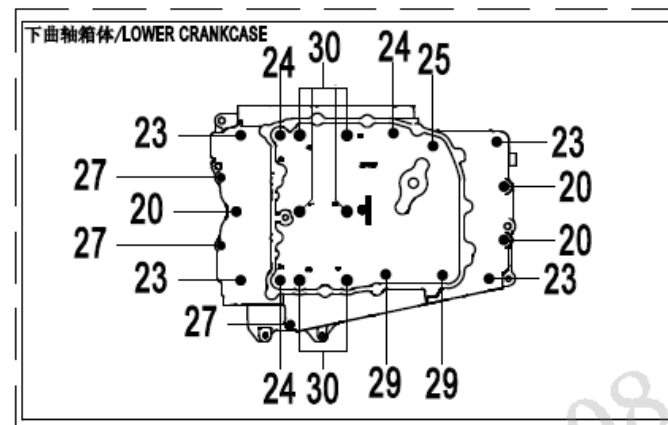
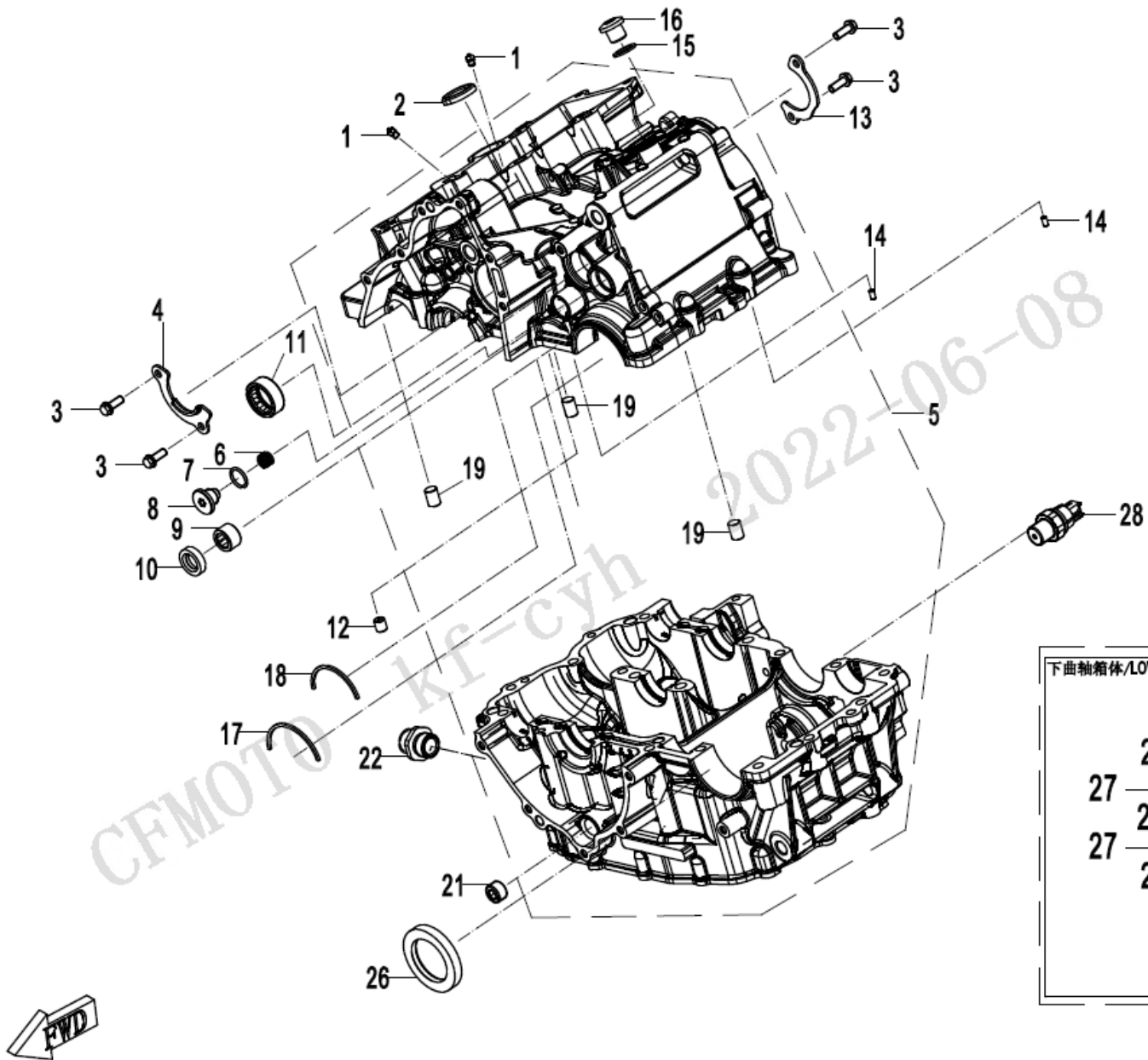
空滤器组/ AIR FILTER ASSY



Item No.	Parts Number	Parts Name(EN)	Qty	Remarks
F41-01	0SQV-110000-5001	AIR FILTER ASSY	1	
F41-02	0120-110003	CLAMP 52	2	
F41-03	6NTA-040202	INNER HEX SCREW M5x12	2	
F41-04	0SQV-110000-5000-21	SEAL RING	1	
F41-05	0SQV-112000-1000	FILTER ELEMENT	1	
F41-06	0SQV-110005-5000	BREATHER HOSE, CRANKCASE	1	
F41-07	0SQV-110000-5000-23	CLAMP 20	1	
F41-08	30601-117010	CLAMP A17	1	
F41-09	0SQV-110000-1000-24	STORAGE HOSE	1	
F41-10	30601-110010	CLAMP A10	1	
F41-11	0SQV-110000-1000-25	OIL STORAGE HOSE	1	
F41-12	0SQV-110000-5000-22	CLAMP 10.5	1	
F41-13	0SQV-110000-1000-21	VALVE	1	
F41-14	0SQV-110000-5000-20	CLAMP 19.8	1	
F41-15	30006-060020810	BOLT M6X20	2	ALT:- 30006-060020870

# E01-1 上&下曲轴箱组件 UPPER & LOWER CRANKCASE ASSY

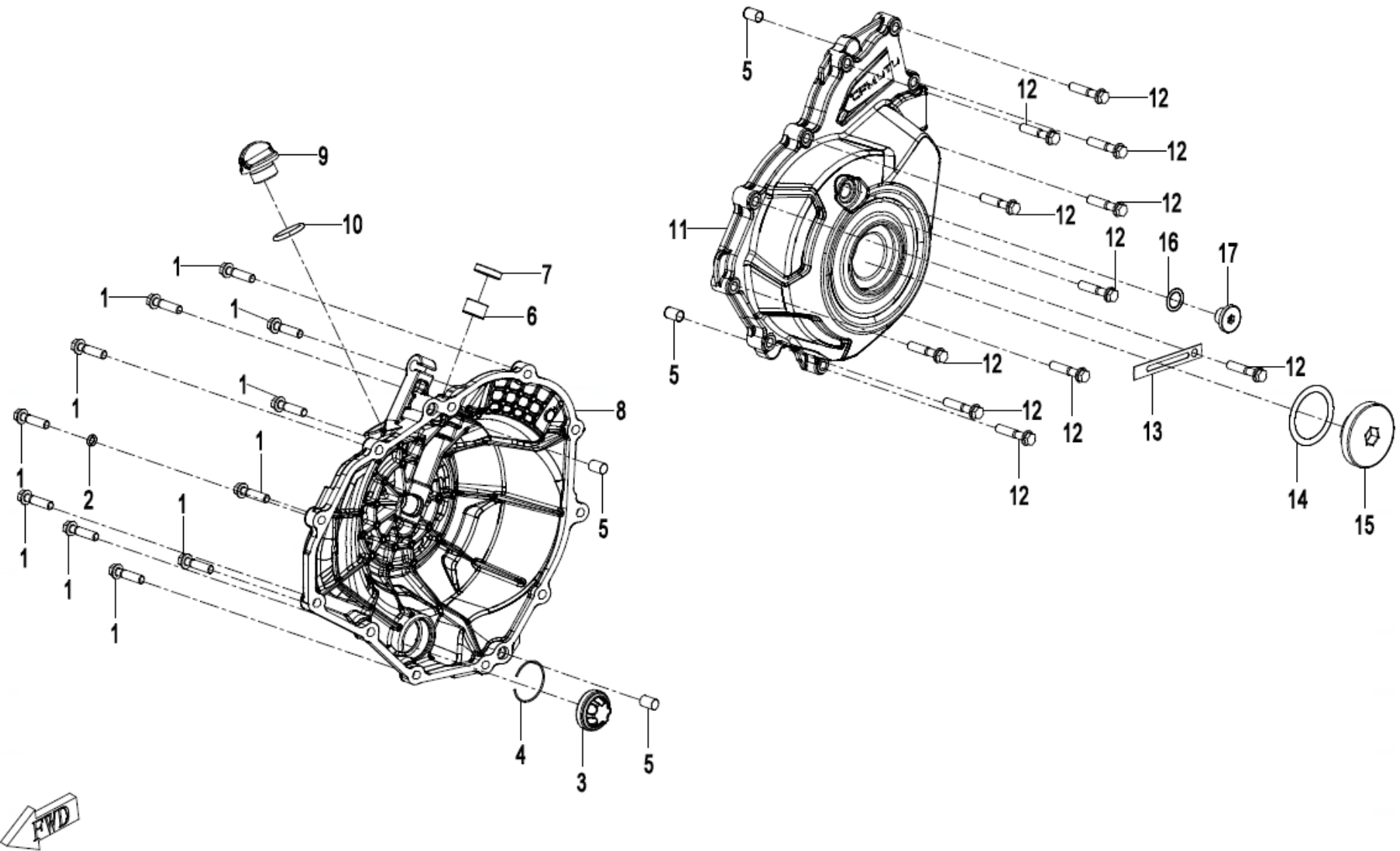
## 上曲轴箱分总成和下曲轴箱分总成/UPPER & LOWER CRANKCASE



Item No.	Parts Number	Parts Name(EN)	Qty	Remarks
E01-1-01	0SQV-011102-1000	OIL NOZZLE Dia.0.7	2	
E01-1-02	0SQV-011104-1000	SEAL RING, FILLER	1	
E01-1-03	0010-090005-0010	BOLT M6x16	4	
E01-1-04	0SQV-011105-1000	BEARING GUARD, LH	1	
E01-1-06	0SQV-060011-1000	BEARING SLEEVE	2	
E01-1-07	0SQV-011107-1000	O-RING 15X1.9	1	
E01-1-08	0SQV-011108-1000	FORK SHAFT COVER	1	
E01-1-09	30403-01400	NEEDLE BEARING	1	
E01-1-10	1F30-011600	OIL SEAL 14X24X6	1	
E01-1-11	30403-02500	BEARING	1	
E01-1-12	0SQV-011103-1000	RESTRICTION PLUG	1	
E01-1-13	0SQV-011106-1000	BEARING GUARD, RH	1	
E01-1-14	30406-00401	ROLLER NEEDLE P4x7.8	2	
E01-1-15	0180-011006	GASKET 14	1	
E01-1-16	0180-021008-00001	BOLT M14X1.25X12	1	
E01-1-17	0SQV-011004-1000	RETAINER, BEARING	1	
E01-1-18	0SQV-011003-1000	RETAINER, BEARING	1	
E01-1-19	30410-01000	ROLLER 10x14	3	
E01-1-20	0SQV-012003-1000	BOLT M8x45	3	
E01-1-21	0700-012105-00001	PLUG, MAIN OIL RAIL	1	
E01-1-22	0700-012106-00002	OIL FILTER BOLT	1	
E01-1-23	0SQV-012002-1000	BOLT M8x65	4	
E01-1-24	0SQV-012500-1000	BOLT ASSY M8X105	3	
E01-1-25	0SQV-012600-1000	BOLT ASSY M8X55	1	
E01-1-26	0SQV-010001-1000	COUNTERSHAFT OIL SEAL	1	
E01-1-27	0010-060012-0010	BOLT M6x30	3	
E01-1-28	0SQV-012400-1000	OIL PRESSURE SWITCH	1	
E01-1-29	0SQV-012700-1000	BOLT ASSY M8X45	2	
E01-1-30	0SQV-012200-1000	BOLT ASSY M9X108	6	

E01-2 左&右侧盖组 LEFT& RIGHT SIDE COVER

右&左侧盖分总成/RIGHT&LEFT SIDE COVER

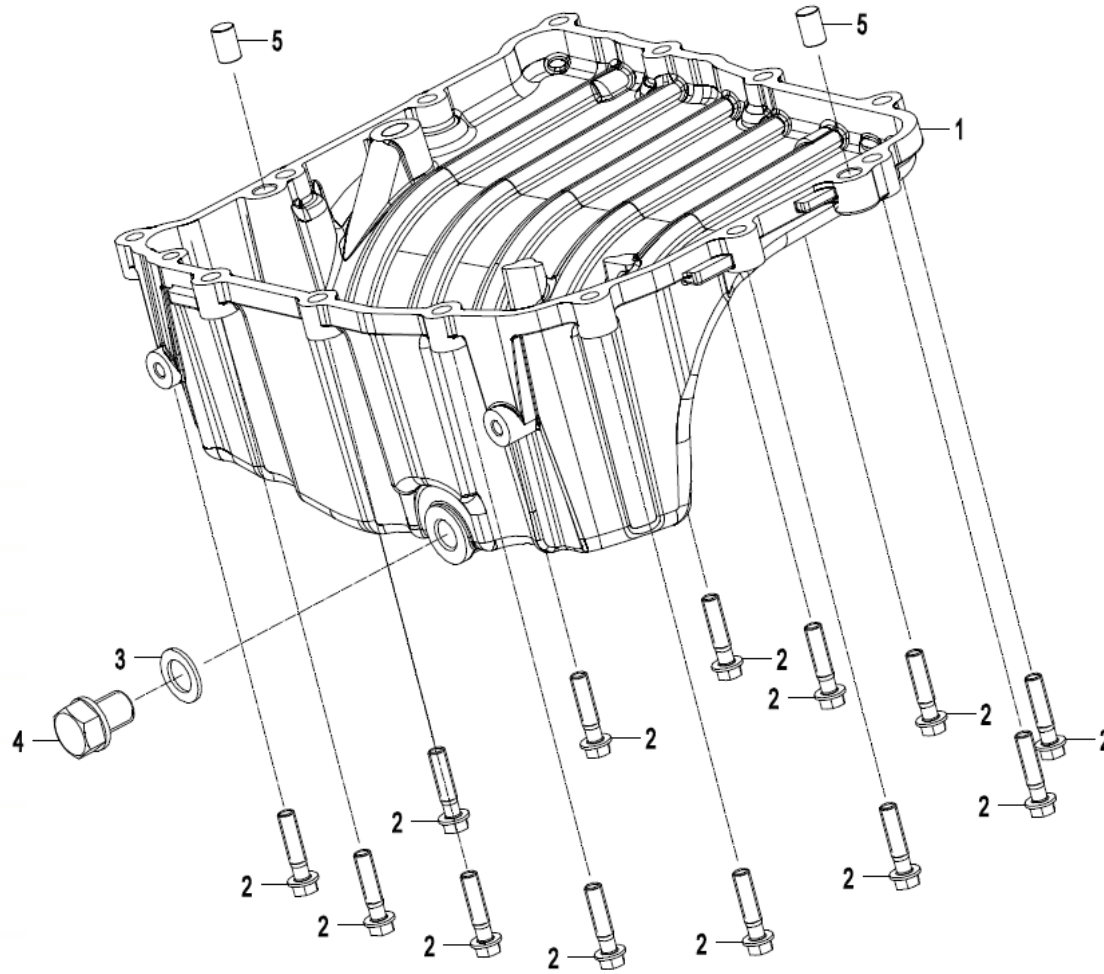




Item No.	Parts Number	Parts Name(EN)	Qty	Remarks
E01-2-01	0010-021017-0010	BOLT M6x25	11	
E01-2-02	0700-012201	O-RING 5X2	1	
E01-2-03	0SQV-013100-1000-M1	VIEWER, OIL LEVEL	1	
E01-2-04	0SQV-013001-1000	CIRCLIP	1	
E01-2-05	30410-00800	ROLLER	4	
E01-2-06	30403-01200	BEARING 12X16X10	1	
E01-2-07	0010-080009	OIL SEAL 12X20X5	1	
E01-2-08	0SQV-013005-1001-0HB00	RH SIDE COVER	1	
E01-2-09	0700-013008	PLUG, OIL FILLING	1	
E01-2-10	0110-013030	O-RING 18X3.55	1	
E01-2-11	0SQV-014001-1000-0HB00	LH SIDE COVER (GREY)	1	
E01-2-12	0010-060012-0010	BOLT M6x30	11	
E01-2-13	0180-014010	WIRE CLIP	1	
E01-2-14	01A0-012003	O-RING 35X3.5	1	
E01-2-15	01A0-012002-0HB00	STRAINER COVER	1	
E01-2-16	0DM0-011006	O-RING 13X2	1	
E01-2-17	0DM0-014003	VIEWING HOLE, TIMING INSPECTION	1	

# E01-3 油底壳 OIL PAN

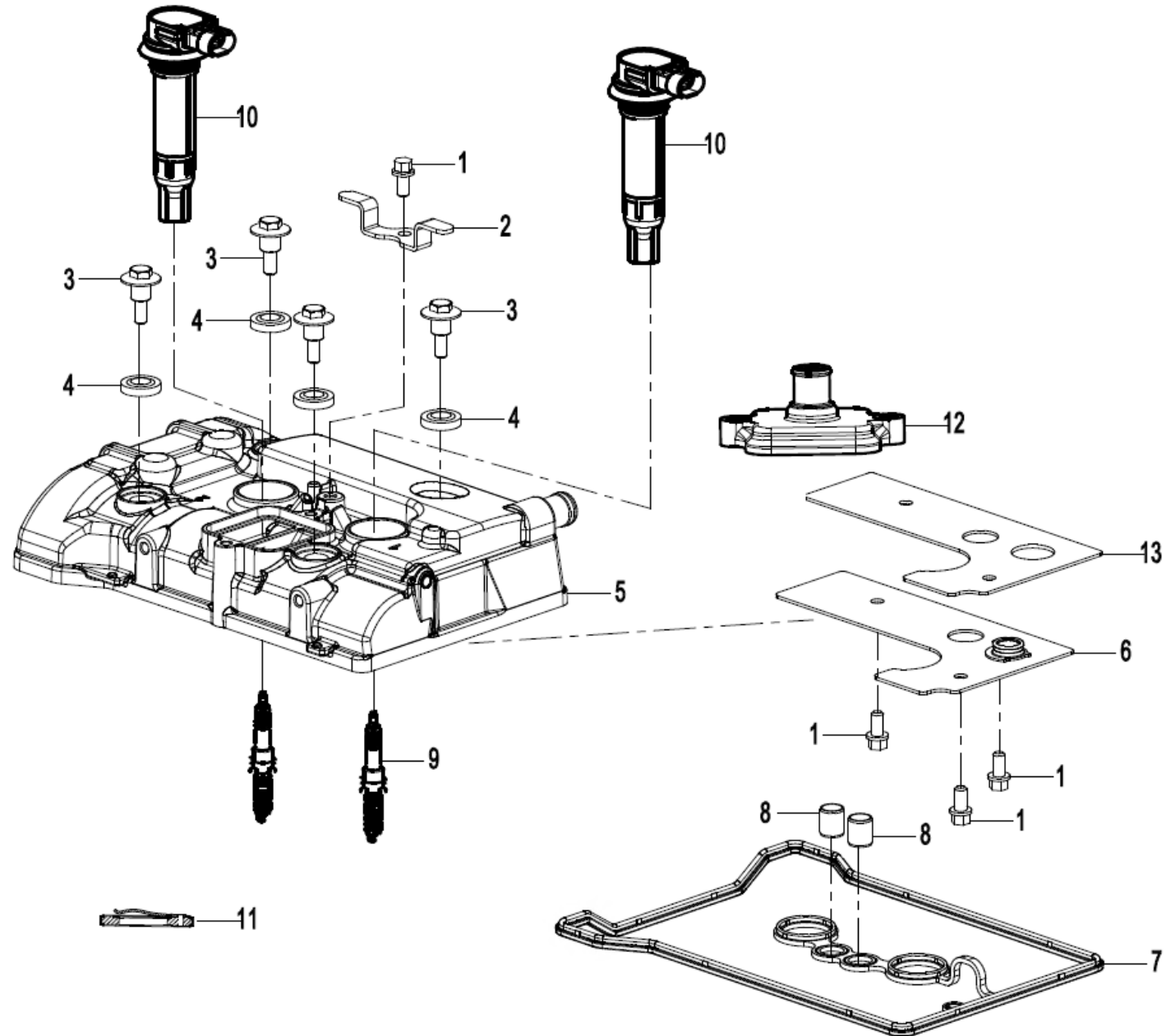
## 油底壳分总成/OIL PAN



Item No.	Parts Number	Parts Name(EN)	Qty	Remarks
E01-3-01	0SQV-015001-1001-0HB00	OIL PAN (VELOCITY GREY)	1	
E01-3-02	0010-021017-0010	BOLT M6x25	13	
E01-3-03	0010-021014	WASHER 12	1	
E01-3-04	0180-011500	MAGNETIC DRAIN BOLT M12X1.5	1	
E01-3-05	30410-00800	ROLLER	2	

E02-1 气缸盖罩分总成 CYLINDER HEAD COVER

气缸盖罩分总成/CYLINDER HEAD COVER

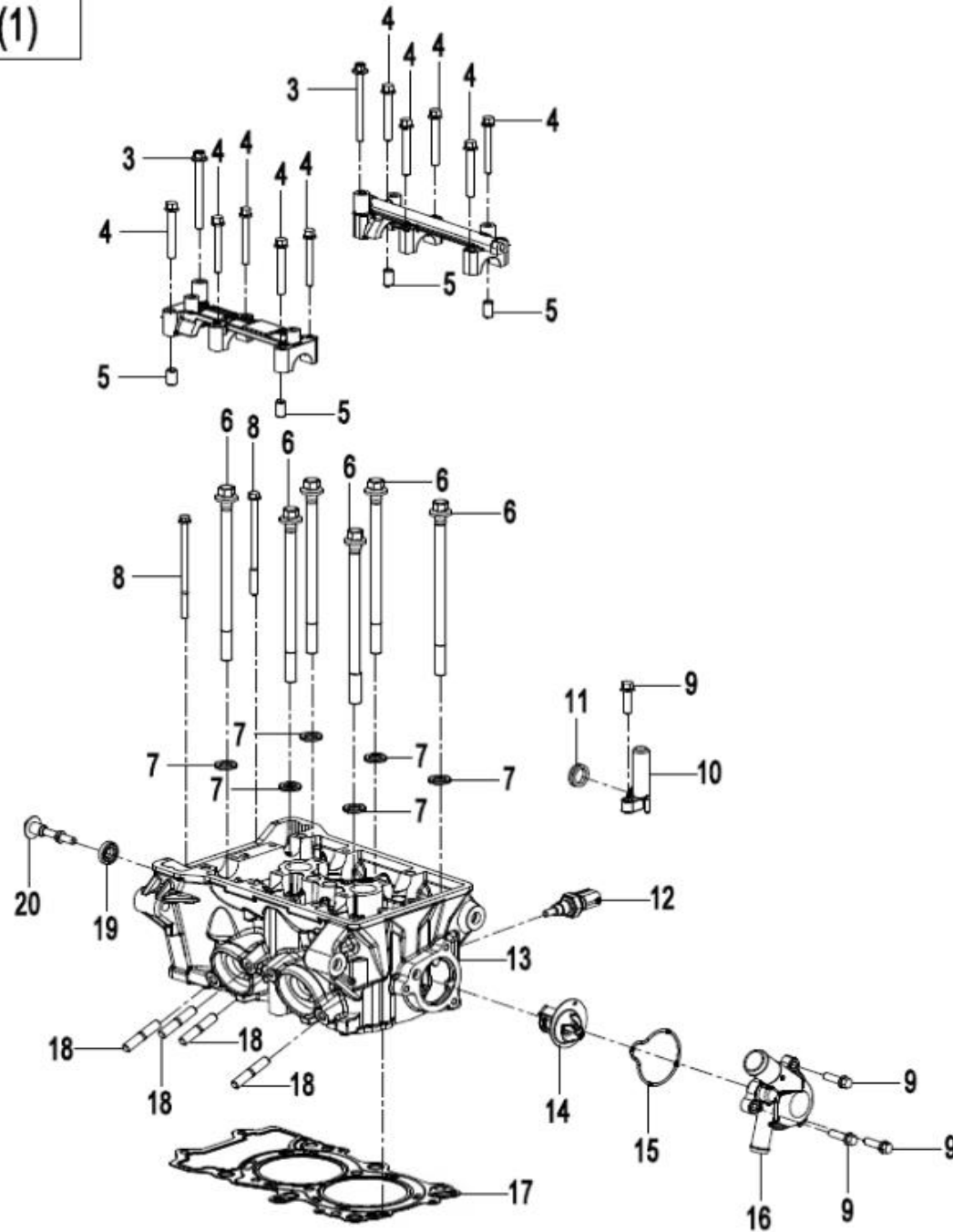


Item No.	Parts Number	Parts Name(EN)	Qty	Remarks
E02-1-01	0010-021019-0010	BOLT M6x12	4	
E02-1-02	0SQV-021004-1000	PRESS PLATE	1	
E02-1-03	0700-021003-00001	CYLINDER HEAD COVER BOLT (GALVANIZED TRIVALENT CHRO)	4	
E02-1-04	0700-021200	CYLINDER HEAD COVER BOLT SEAL RING	4	
E02-1-05	0SQV-021010-1000-10-0BP00	CYLINDER HEAD COVER WITH SECONDARY GULP, MAUD SPIRIT BLACK	1	
E02-1-06	0SQV-021100-1000	PRESS PLATE	1	
E02-1-07	0SQV-021002-1000	GASKET, CYLINDER HEAD COVER	1	
E02-1-08	0HU0-021002-00001	GULP PIN	2	
E02-1-09	0SQV-170200-1000	SPARK PLUG	2	
E02-1-10	0SQV-178000-1000	IGNITION COIL	2	
E02-1-11	0MQB-021100-20001	SPRING VALVE ASSY	1	
E02-1-12	0SQV-021020-1000-0BP00	CAP, ONE-WAY VALVE (MAUD SPIRIT BLACK)	1	
E02-1-13	0SQV-021005-1000	LABYRINTH COVER GASKET	1	

# E02-2 气缸盖分总成(1) CYLINDER HEAD(1)

## 气缸盖分总成(1)/CYLINDER HEAD(1)

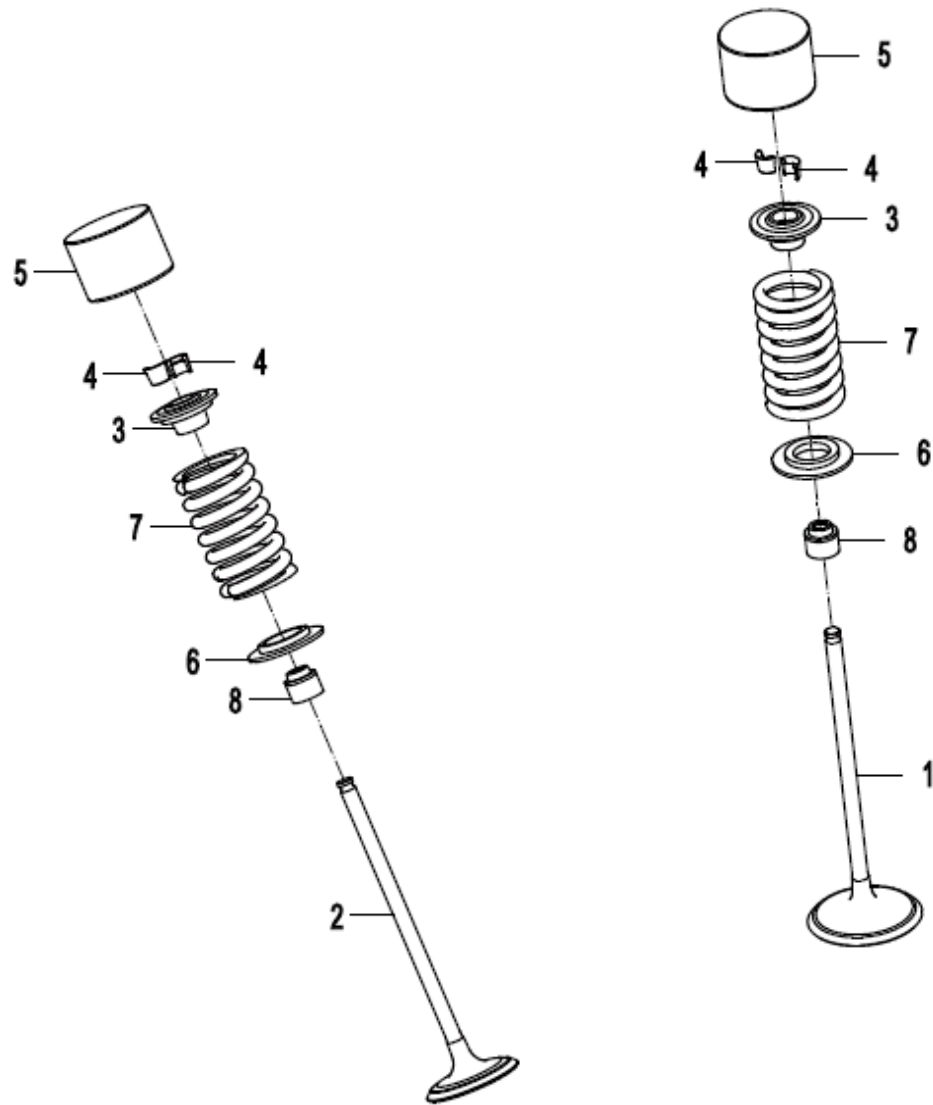
1/2/3/4/5/13  
21



Item No.	Parts Number	Parts Name(EN)	Qty	Remarks
E02-2-03	0SQV-022105-1000	BOLT M6x65	2	
E02-2-04	0SQV-022106-1001	HEX FLANGE BOLT	10	
E02-2-05	0DM0-022201-10000	DOWEL PIN 8x12	4	
E02-2-06	0SQV-022008-1000	CYLINDER HEAD BOLT	6	
E02-2-07	0700-022016	WASHER 10.5x19x2.3	6	
E02-2-08	0SQV-022011-1000	BOLT M6x90	2	
E02-2-09	0010-022020-00002	BOLT M6x22	4	
E02-2-10	0SQV-022200-1000	CONNECTOR ASSY.	1	
E02-2-11	1F30-024016	OIL SEAL, SURFACE	1	
E02-2-12	018B-022810	WATER TEMPERATURE SENSOR	1	
E02-2-14	0MQ0-022500	THERMOSTAT	1	
E02-2-15	0SQV-022002-1000	SEAL RING, THERMOSTAT CAP	1	
E02-2-16	0SQV-022001-1000-10-0HB00	THERMOSTAT CAP	1	
E02-2-17	0SQV-022300-1000	GASKET, CYLINDER HEAD	1	
E02-2-18	0180-022003-00001	STUD	4	
E02-2-19	0700-021200	CYLINDER HEAD COVER BOLT SEAL RING	1	
E02-2-20	0DM0-022008-00001	CYLINDER HEAD DAMPING BOLT	1	
E02-2-21	0SQV-022100-1005-0HB00	CYLINDER HEAD ASSY	1	

E02-3 气缸盖分总成(2) CYLINDER HEAD(2)

气缸盖分总成(2)/CYLINDER HEAD(2)



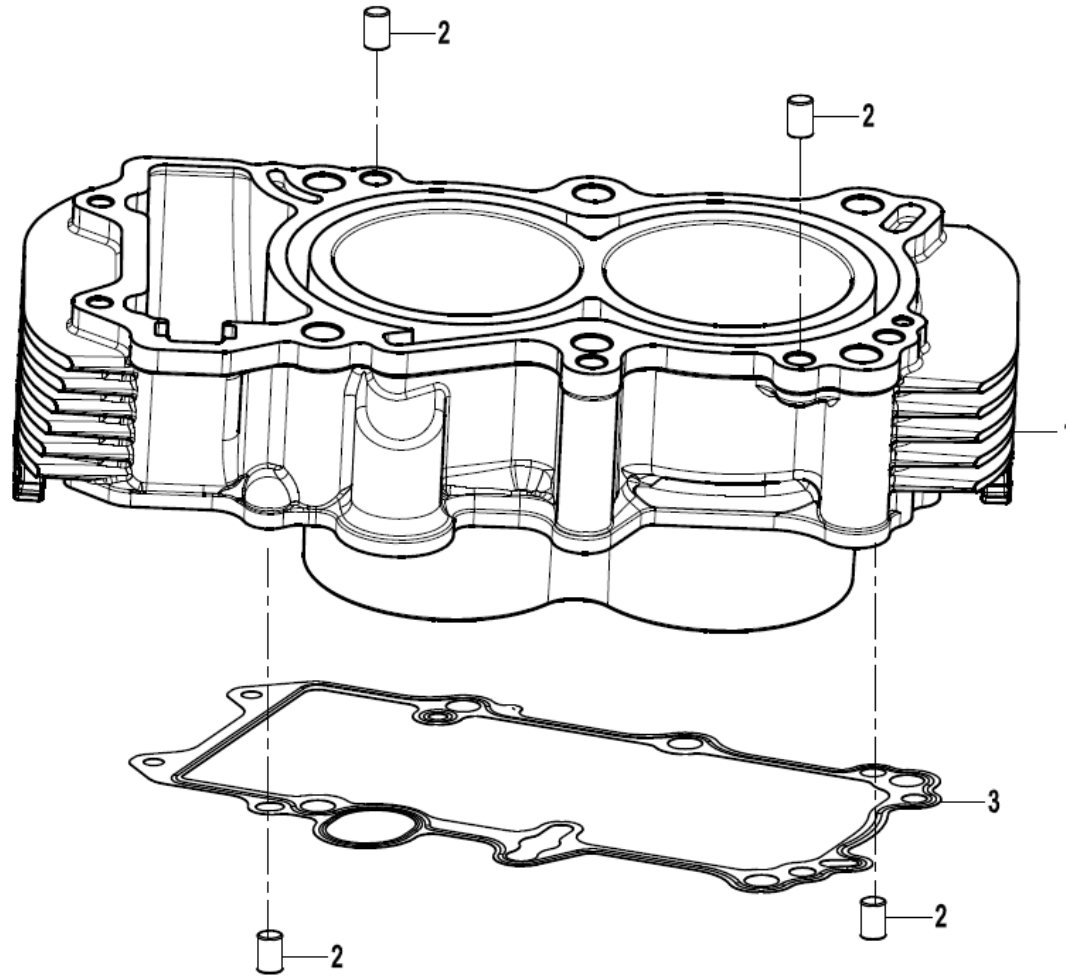
Item No.	Parts Number	Parts Name(EN)	Qty	Remarks
E02-3-01	0SQV-022004-1000	VALVE, INTAKE	4	
E02-3-02	0SQV-022005-1000	VALVE, EXHAUST	4	
E02-3-03	0MQ0-022003	UPPER SEAT, VALVE SPRING	8	
E02-3-04	0700-022004	LOCK CLIP, VALVE	16	
E02-3-05	0MQ0-022005-0370	TAPPET T=3.94	8	
E02-3-05	0MQ0-022005-0380	TAPPET T=3.96	8	
E02-3-05	0MQ0-022005-0390	TAPPET T=3.98	8	
E02-3-05	0MQ0-022005-0400	TAPPET T=4.00	8	
E02-3-05	0MQ0-022005-0410	TAPPET T=4.02	8	
E02-3-05	0MQ0-022005-0420	TAPPET T=4.04	8	
E02-3-05	0MQ0-022005-0430	TAPPET T=4.06	8	
E02-3-05	0MQ0-022005-0440	TAPPET T=4.08	8	
E02-3-05	0MQ0-022005-0450	TAPPET T=4.10	8	
E02-3-05	0MQ0-022005-0460	TAPPET T=4.12	8	
E02-3-05	0MQ0-022005-0470	TAPPET T=4.14	8	
E02-3-05	0MQ0-022005-0480	TAPPET T=4.16	8	
E02-3-05	0MQ0-022005-0490	TAPPET T=4.18	8	
E02-3-05	0MQ0-022005-0070	TAPPET T=3.34	8	
E02-3-05	0MQ0-022005-0080	TAPPET T=3.36	8	
E02-3-05	0MQ0-022005-0090	TAPPET T=3.38	8	
E02-3-05	0MQ0-022005-0100	TAPPET T=3.40	8	
E02-3-05	0MQ0-022005-0110	TAPPET T=3.42	8	
E02-3-05	0MQ0-022005-0120	TAPPET T=3.44	8	
E02-3-05	0MQ0-022005-0130	TAPPET T=3.46	8	
E02-3-05	0MQ0-022005-0140	TAPPET T=3.48	8	
E02-3-05	0MQ0-022005-0150	TAPPET T=3.50	8	
E02-3-05	0MQ0-022005-0160	TAPPET T=3.52	8	
E02-3-05	0MQ0-022005-0170	TAPPET T=3.54	8	
E02-3-05	0MQ0-022005-0180	TAPPET T=3.56	8	
E02-3-05	0MQ0-022005-0190	TAPPET T=3.58	8	
E02-3-05	0MQ0-022005-0200	TAPPET T=3.60	8	
E02-3-05	0MQ0-022005-0210	TAPPET T=3.62	8	
E02-3-05	0MQ0-022005-0220	TAPPET T=3.64	8	
E02-3-05	0MQ0-022005-0230	TAPPET T=3.66	8	



Item No.	Parts Number	Parts Name(EN)	Qty	Remarks
E02-3-05	0MQ0-022005-0240	TAPPET T=3.68	8	
E02-3-05	0MQ0-022005-0250	TAPPET T=3.70	8	
E02-3-05	0MQ0-022005-0260	TAPPET T=3.72	8	
E02-3-05	0MQ0-022005-0270	TAPPET T=3.74	8	
E02-3-05	0MQ0-022005-0280	TAPPET T=3.76	8	
E02-3-05	0MQ0-022005-0290	TAPPET T=3.78	8	
E02-3-05	0MQ0-022005-0300	TAPPET T=3.80	8	
E02-3-05	0MQ0-022005-0310	TAPPET T=3.82	8	
E02-3-05	0MQ0-022005-0320	TAPPET T=3.84	8	
E02-3-05	0MQ0-022005-0330	TAPPET T=3.86	8	
E02-3-05	0MQ0-022005-0340	TAPPET T=3.88	8	
E02-3-05	0MQ0-022005-0350	TAPPET T=3.90	8	
E02-3-05	0MQ0-022005-0360	TAPPET T=3.92	8	
E02-3-06	0SQV-022006-2000	LOWER SEAT, VALVE SPRING	8	
E02-3-07	0SQV-022003-1000-10	VALVE SPRING	8	
E02-3-08	0700-022400-1000	SEAL RING, VALVE STEM	8	

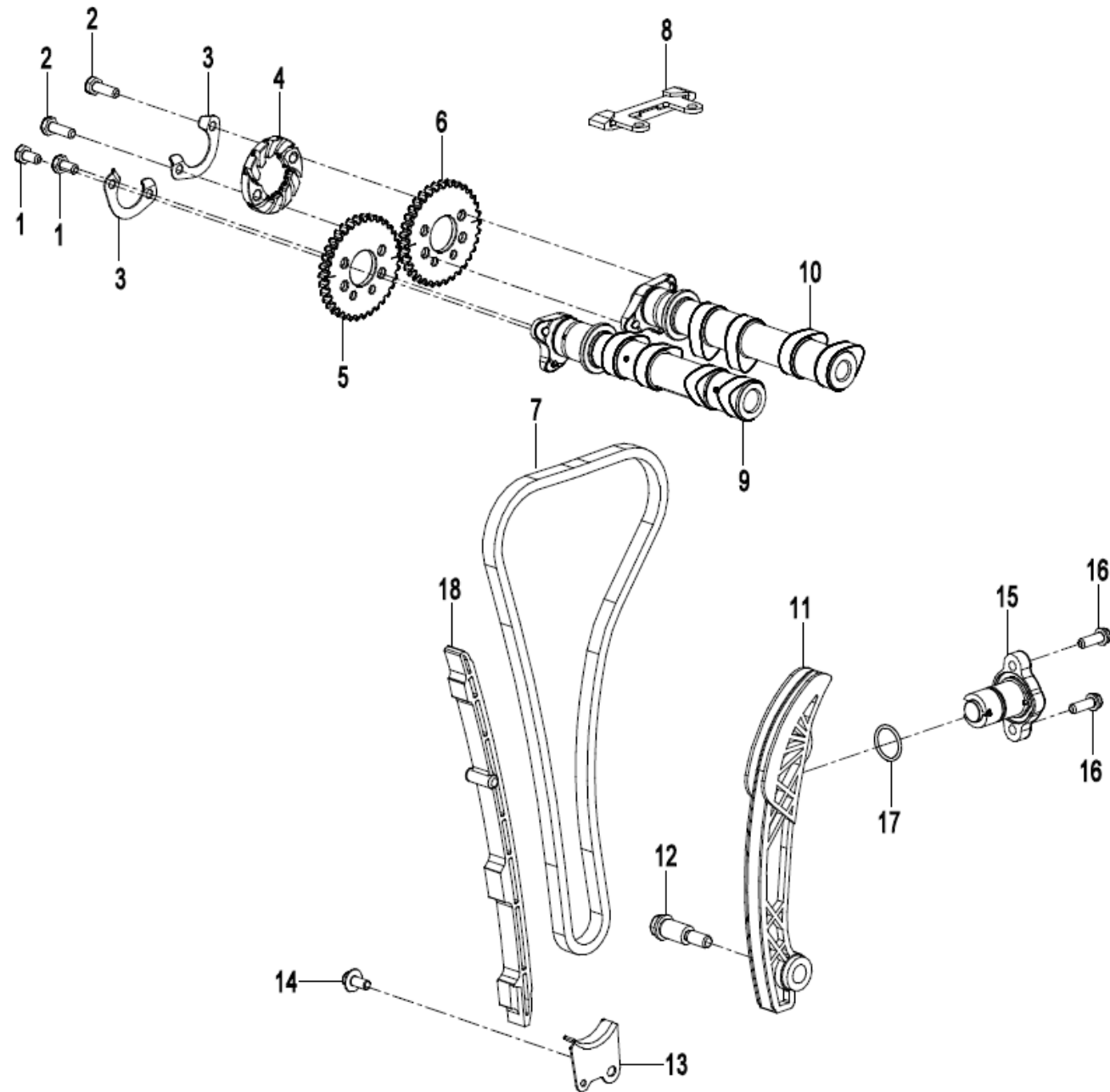
# E02-4 气缸盖分总成(3) CYLINDER HEAD(3)

## 气缸盖分总成(4)/CYLINDER HEAD(4)



Item No.	Parts Number	Parts Name(EN)	Qty	Remarks
E02-4-01	0SQV-023001-1000-0HB00	CYLINDER BODY (GREY)	1	
E02-4-02	30410-00800	ROLLER	4	
E02-4-03	0SQV-023002-1000	GASKET, CYLINDER	1	

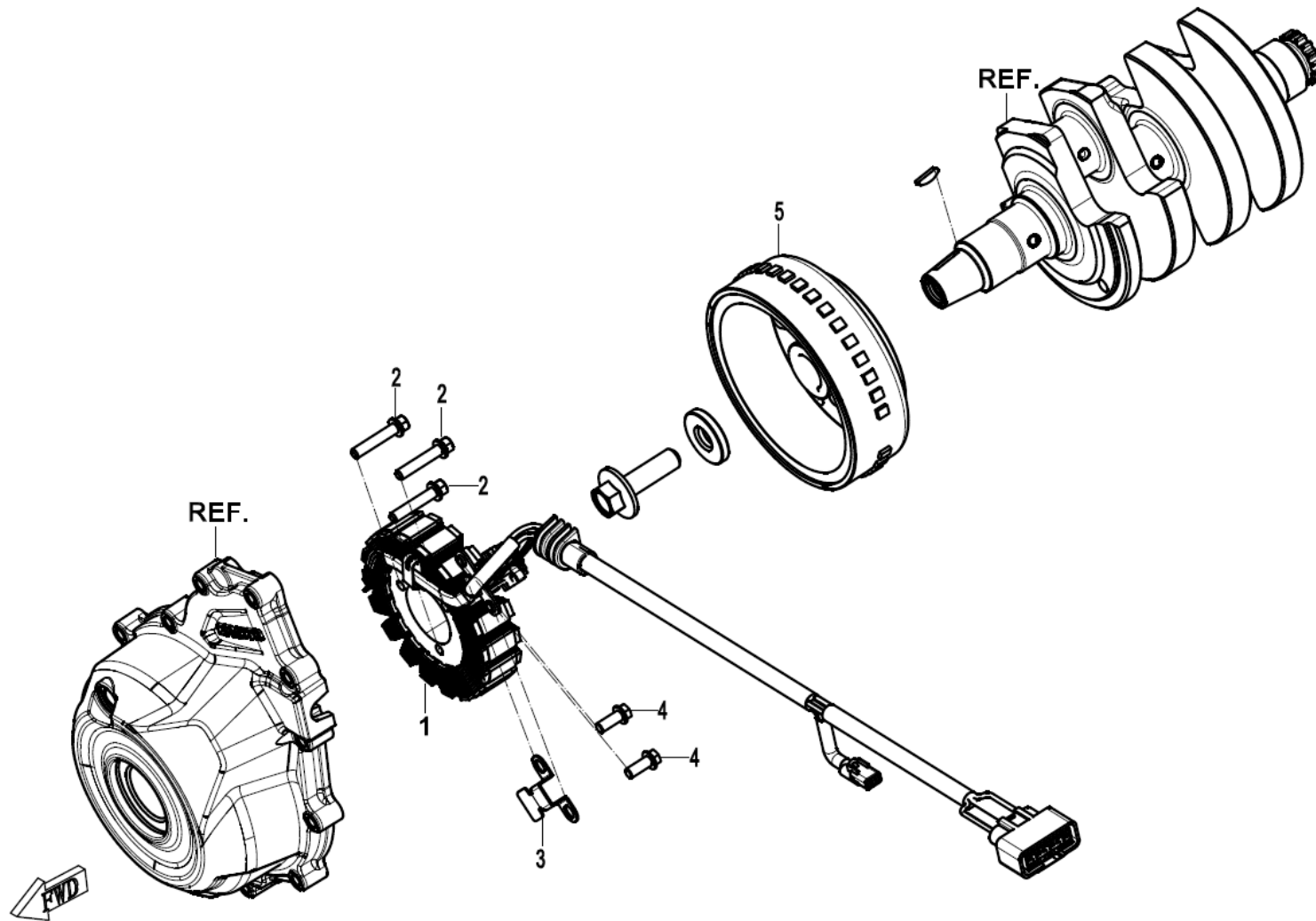
配气传动分总成/CAMSHAFT



Item No.	Parts Number	Parts Name(EN)	Qty	Remarks
E02-5-01	30004-060012150	BOLT	2	
E02-5-02	1F30-024012	BOLT M6X18	2	
E02-5-03	0700-024003	RETAINER	2	
E02-5-04	0SQV-024013-1001	CENTRIFUGAL WHEEL	1	
E02-5-05	0SQV-024002-1000	AIR OUTLET TIMING SPROCKET	1	
E02-5-06	0SQV-024001-1000	AIR INLET TIMING SPROCKET	1	
E02-5-07	0SQV-024200-1000	TIMING CHAIN	1	
E02-5-08	0SQV-024100-1000	CHAIN GUIDE BLOCK	1	
E02-5-09	0SQV-024600-2000	CAMSHAFT,EXHAUST	1	
E02-5-10	0SQV-024500-2000	CAMSHAFT,INLET	1	
E02-5-11	0SQV-024005-1001	TENSION PLATE	1	
E02-5-12	0SQV-024009-1000	PIN SHAFT	1	
E02-5-13	0SQV-024008-1000	PLATE, TIMING CHAIN	1	
E02-5-14	0010-021019-0010	BOLT M6X12	1	
E02-5-15	0SQV-024400-1001	HYDRAULIC TENSIONOR	1	
E02-5-16	0010-023010-0010	BOLT M6X20	2	
E02-5-17	0SQV-024401-1000	GASKET, HYDRAULIC TENSIONER	1	
E02-5-18	0SQV-024003-1001	CHAIN GUARD	1	

# E03 磁电机总成 MAGNETO

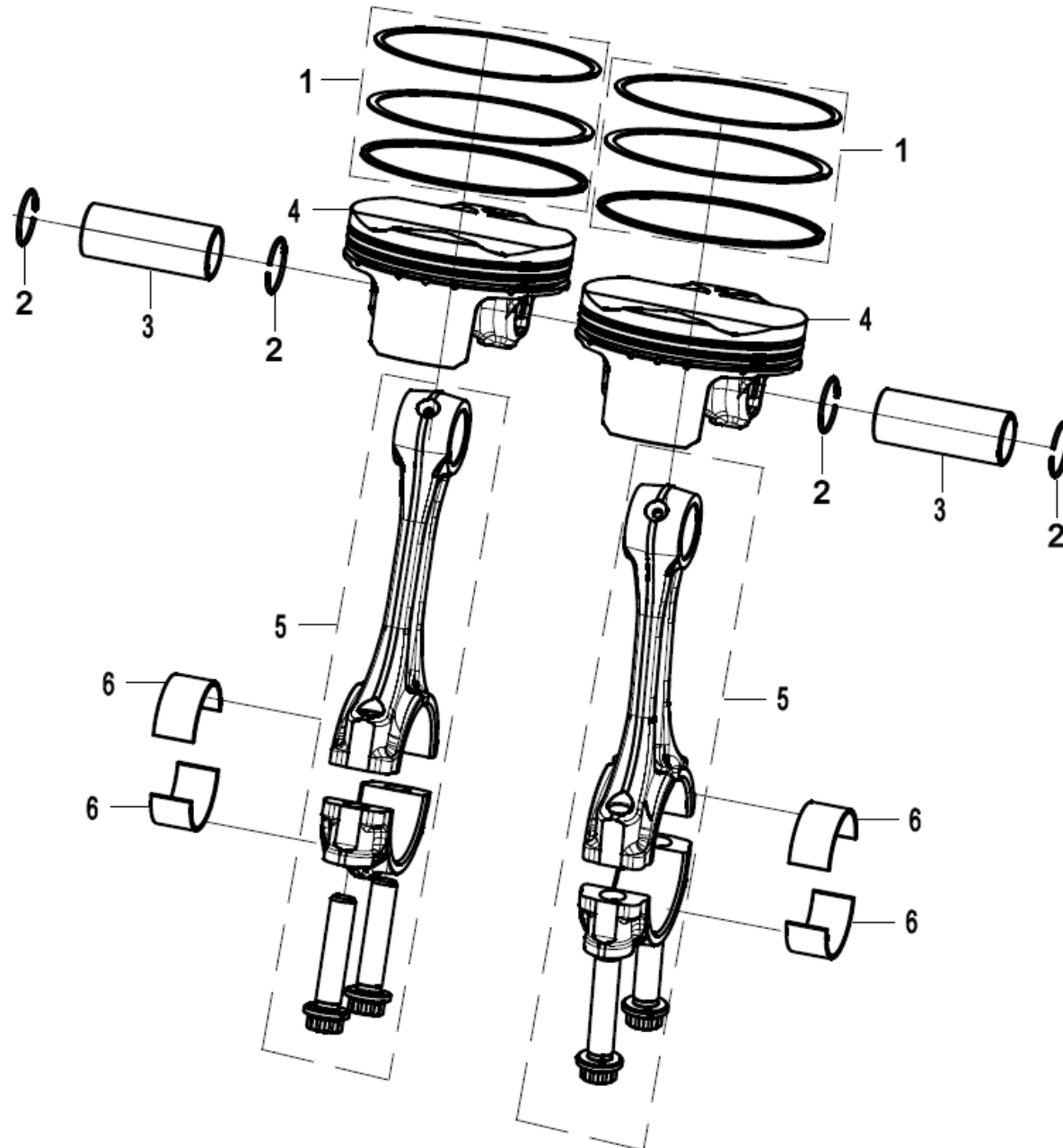
## 磁电机总成/FLYWHEEL



Item No.	Parts Number	Parts Name(EN)	Qty	Remarks
E03-01	0SQV-032000-1001	MAGNETO STATOR ASSY	1	
E03-01	0SQV-032000-1001-10	MAGNETO STATOR ASSY	1	
E03-02	0180-030001-00001	BOLT M6X30	3	
E03-03	0SQV-032100-1000	STATER WIRE PRESS PLATE	1	
E03-04	0010-030002-00001	BOLT M5X16	2	
E03-05	0SQV-031000-1001	MAGNETO ROTOR ASSY	1	

E04-1 曲轴连杆总成 (1) CRANKSHAFT &CONNECTING ROD (1)

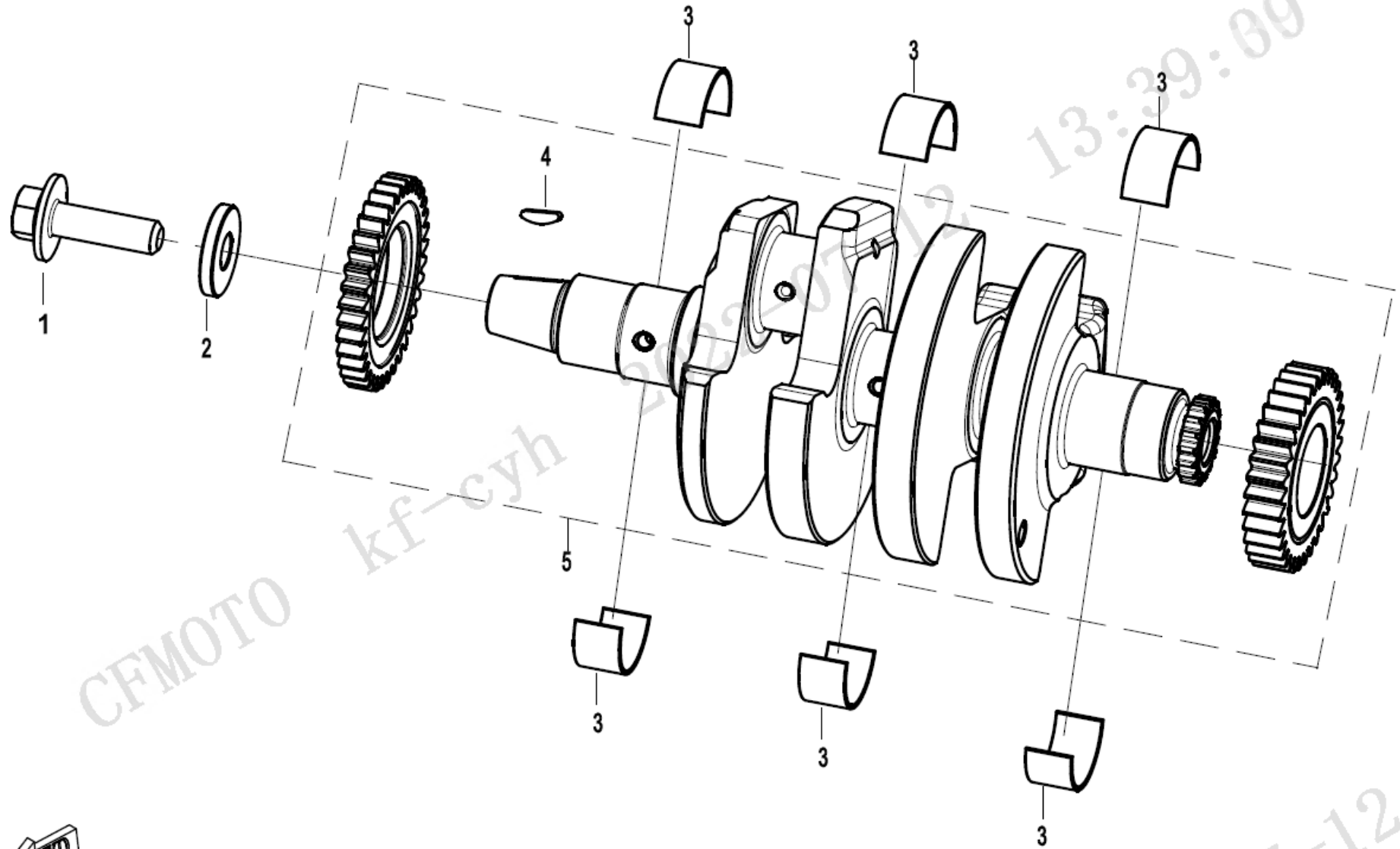
曲轴连杆总成(1)/CRANKSHAFT &CONNECTING ROD(1)



Item No.	Parts Number	Parts Name(EN)	Qty	Remarks
E04-1-01	0SQV-040110-10A0	PISTON RING KIT	2	
E04-1-02	0110-040006-0050	CIRCLIP, PISTON PIN	4	
E04-1-03	0SQV-040008-1000	PISTON PIN	2	
E04-1-04	0SQV-040007-1001-Q0-00001	PISTON	2	
E04-1-04	0SQV-040007-1001-Q0-00002	PISTON	2	
E04-1-05	0SQV-042000-1001-Q0-00001	CONNECTING ROD ASSY	2	
E04-1-05	0SQV-042000-1001-Q0-00002	CONNECTING ROD ASSY	2	
E04-1-06	0SQV-040009-1000-Q0-00001	PLAIN BEARING, CONNECTING ROD (RED)	4	
E04-1-06	0SQV-040009-1000-Q0-00002	PLAIN BEARING, CONNECTING ROD (BLACK)	4	
E04-1-06	0SQV-040009-1000-Q0-00003	PLAIN BEARING, CONNECTING ROD (BLUE)	4	

E04-2 曲轴连杆总成(2) CRANKSHAFT &CONNECTING ROD(2)

曲轴连杆总成(2)/CRANKSHAFT &CONNECTING ROD(2)



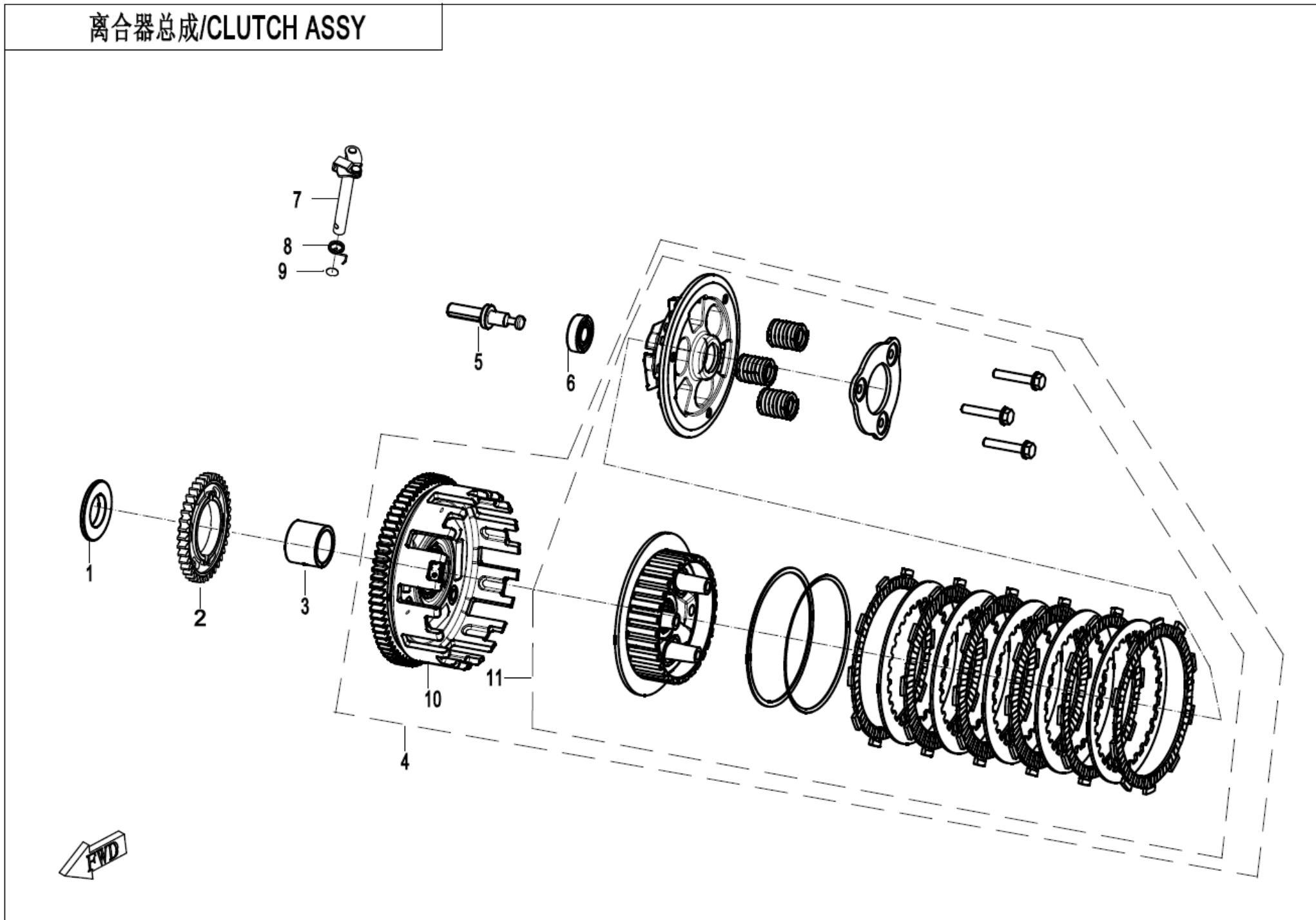
2022-07-12 13:39:09



Item No.	Parts Number	Parts Name(EN)	Qty	Remarks
E04-2-1	0SQV-040001-1000	BOLT M12x1.25x40	1	
E04-2-2	0700-040002-00001	WASHER 12.5X33X5	1	
E04-2-3	0SQV-011001-1000-Q0-00001	PLAIN BEARING, MAIN SHAFT (RED)	6	
E04-2-3	0SQV-011001-1000-Q0-00002	PLAIN BEARING, MAIN (BLACK)	6	
E04-2-3	0SQV-011001-1000-Q0-00003	PLAIN BEARING, MAIN SHAFT (BLUE)	6	
E04-2-4	0180-040007	WOODRUFF KEY	1	
E04-2-5	0SQV-041000-1000-Q1-00001	CRANKSHAFT ASSY	1	
E04-2-5	0SQV-041000-1000-Q1-00002	CRANKSHAFT ASSY	1	
E04-2-5	0SQV-041000-1000-Q0-00001	CRANKSHAFT ASSY	1	
E04-2-5	0SQV-041000-1000-Q0-00002	CRANKSHAFT ASSY	1	

# E05-A 离合器总成(FCC) CLUTCH(FCC)

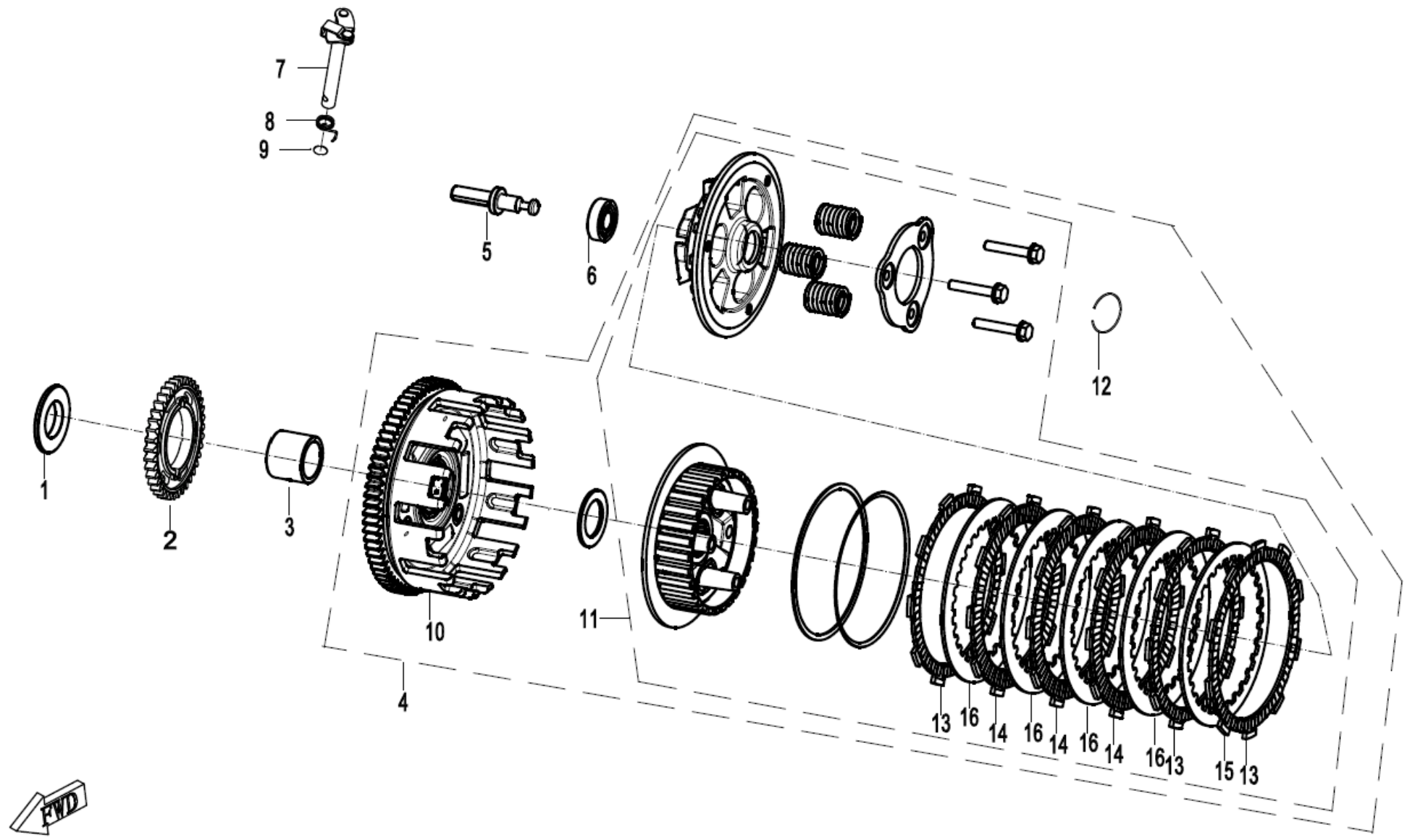
## 离合器总成/CLUTCH ASSY



Item No.	Parts Number	Parts Name(EN)	Qty	Remarks
E05-A-01	0SQV-050001-1000	WASHER 25.2X46X5.8	1	
E05-A-02	0SQV-050005-1000-10	DRIVE GEAR, OIL PUMP	1	
E05-A-03	0SQV-050002-1000	AXLE SLEEVE, CLUTCH	1	
E05-A-04	0SQV-051000-1001-Q0-00002	CLUTCH SUB ASSY B	1	
E05-A-04	0SQV-051000-1001-Q0-00001	CLUTCH SUB ASSY A	1	
E05-A-05	0SQV-050004-1001	ROD	1	
E05-A-06	30400-01207	ROLLER BEARING	1	
E05-A-07	0SQV-050100-1000	CLUTCH CONTROL SHAFT ASSY	1	
E05-A-08	0700-013006-10000	RETURN SPRING, CLUTCH CONTROL LEVER	1	
E05-A-09	0700-013007	WASHER 12.5X18.5X0.6	1	
E05-A-10	0SQV-051100-1002	PRIMARY DRIVEN GEAR ASSY	1	
E05-A-11	0SQV-051200-1000	CENTRAL SLEEVE ASSY	1	

E05-B 离合器总成(重庆长兴) CLUTCH(CHONGQIN CHANGXIN)

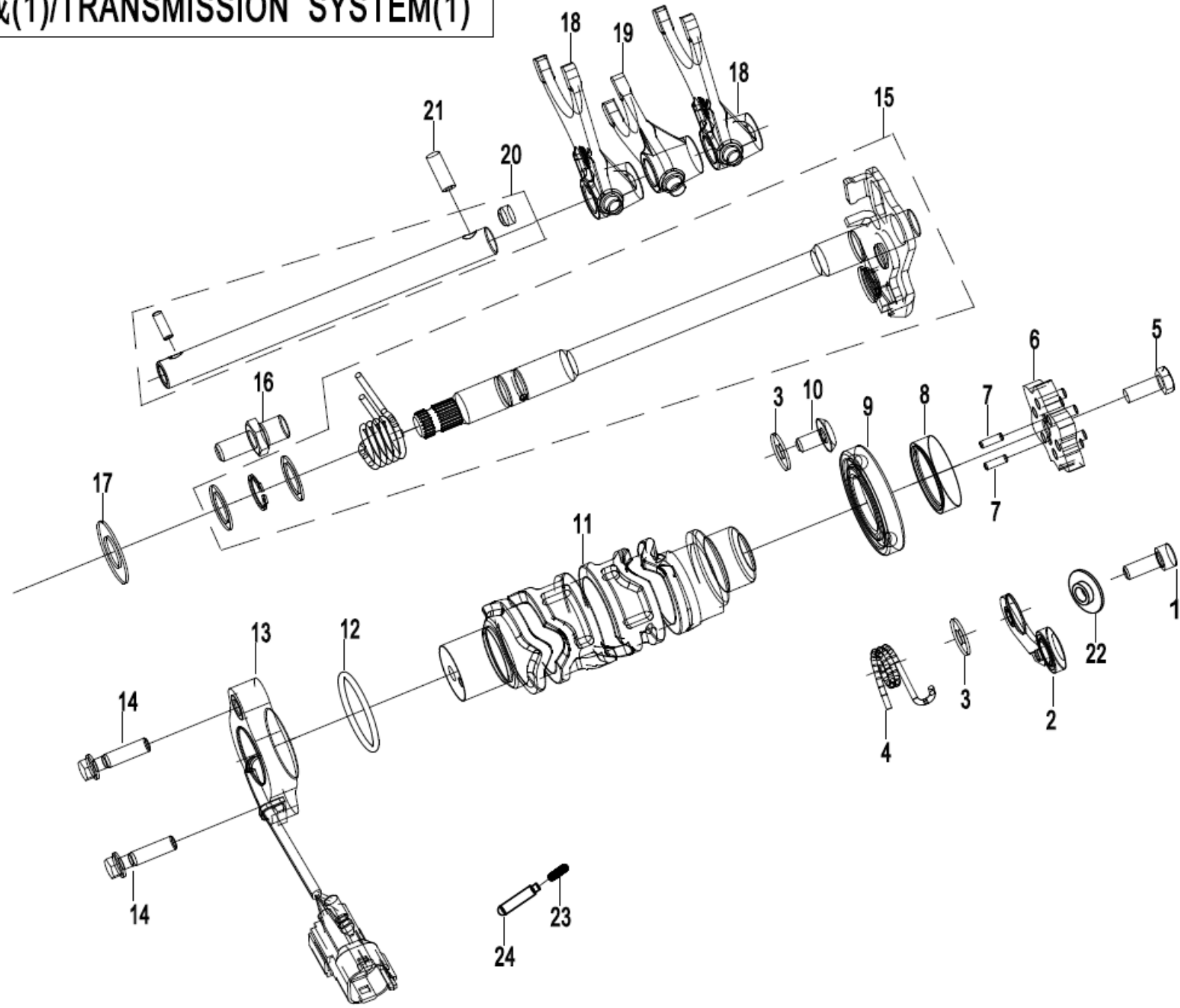
离合器总成/CLUTCH ASSY



Item No.	Parts Number	Parts Name(EN)	Qty	Remarks
E05-B-01	0SQV-050001-1000	WASHER 25.2X46X5.8	1	
E05-B-02	0SQV-050005-1000-10	DRIVE GEAR, OIL PUMP	1	
E05-B-03	0SQV-050002-1000	AXLE SLEEVE, CLUTCH	1	
E05-B-04	0SQV-051000-1002-Q1-00001	CLUTCH SUB ASSY	1	
E05-B-04	0SQV-051000-1002-Q1-00002	CLUTCH SUB ASSY	1	
E05-B-05	0SQV-050004-1001	ROD	1	
E05-B-06	30400-01207	ROLLER BEARING	1	
E05-B-07	0SQV-050100-1000	CLUTCH CONTROL SHAFT ASSY	1	
E05-B-08	0700-013006-10000	RETURN SPRING, CLUTCH CONTROL LEVER	1	
E05-B-09	0700-013007	WASHER 12.5X18.5X0.6	1	
E05-B-10	0SQV-051100-1000-M1	PRIMARY DRIVEN PULLEY ASSY	1	
E05-B-11	0SQV-051200-1002-M1	CENTRAL SLEEVE ASSY	1	
E05-B-12	0SQV-060004-1000	LOCK WASHER	1	
E05-B-13	0SQV-051210-1000-M1	FRICTION DISC ASSY 1	3	
E05-B-14	0SQV-051220-1000-M1	FRICTION DISC ASSY 2	3	
E05-B-15	0SQV-051213-1000-M1	DRIVEN DISC 1	1	
E05-B-16	0SQV-051214-1000-M1	DRIVEN DISC 2	1	

E06-1 换档变速总成(1) TRANSMISSION SYSTEM(1)

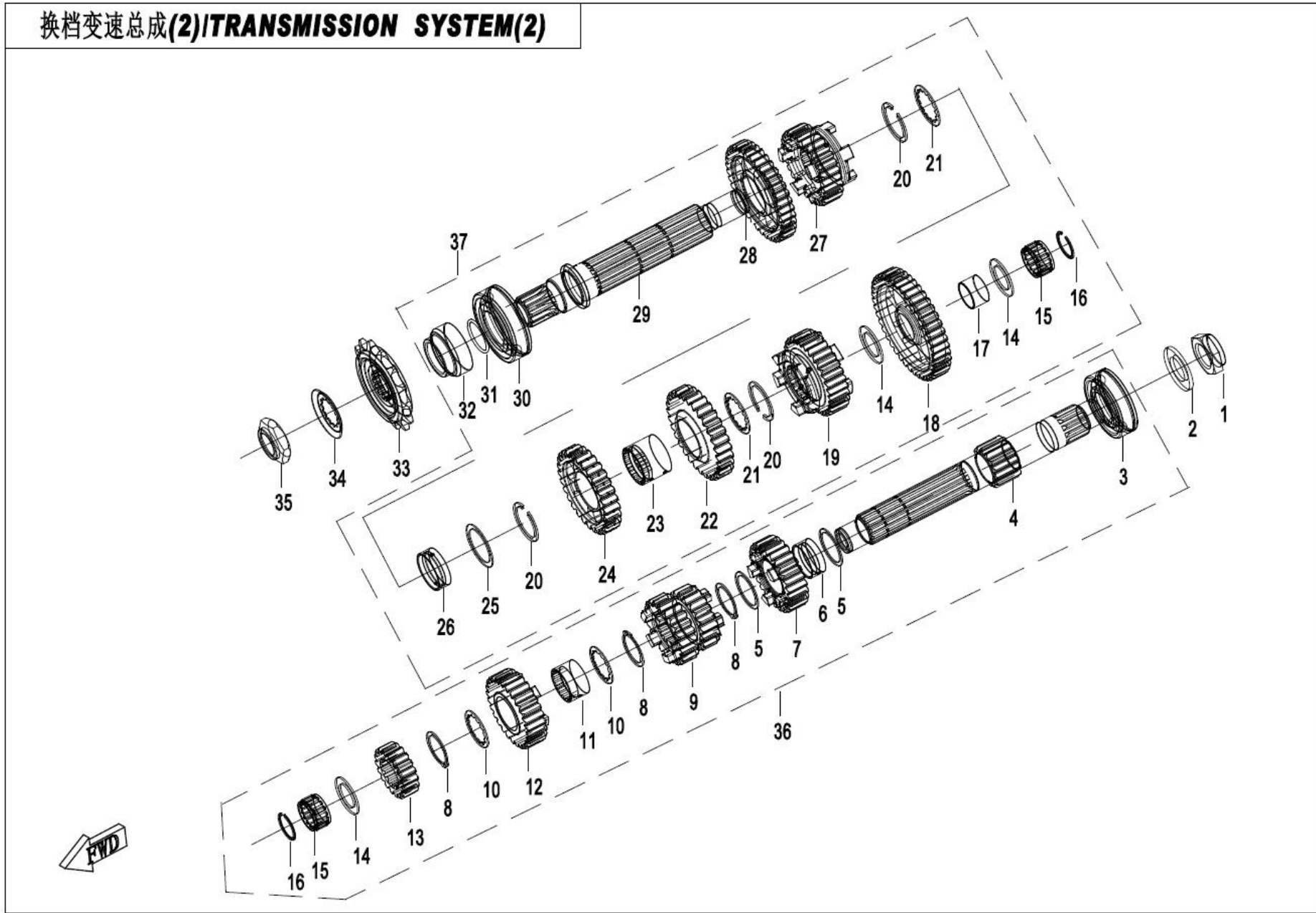
换档变速总成(1)/TRANSMISSION SYSTEM(1)



Item No.	Parts Number	Parts Name(EN)	Qty	Remarks
E06-1-01	30102-060016810	SCREW M6X16	1	
E06-1-02	0SQV-065100-1001	GEARSHIFT SWING ARM SUB ASSY	1	
E06-1-03	0700-064001	WASHER 6.3X16.3X1.2	2	
E06-1-04	0DM0-065001	SPRING, SWING ARM, GEARSHIFT	1	
E06-1-05	30004-060016130	BOLT M6x16	1	
E06-1-06	0SQV-064100-1002	CAM, GEARSHIFT DRUM	1	
E06-1-07	30406-00303	NEEDLE BEARING	2	
E06-1-08	0SQV-064002-1000	SHIFT DRUM BUSHING	1	
E06-1-09	30400-02505	BEARING	1	
E06-1-10	0010-090005-0010	BOLT M6x16	1	
E06-1-11	0SQV-064001-1001	SHIFT DRUM	1	
E06-1-12	0SQV-060012-1000	O-RING 31X2.5	1	
E06-1-13	0SQV-060400-1001	GEAR SENSOR ASSY	1	
E06-1-14	0010-021017-0010	BOLT M6x25	2	
E06-1-15	0SQV-063000-1001	GEARSHIFT LEVER ASSY	1	
E06-1-16	0DM0-063002-00001	SHIFT POSITION SPRING PIN	1	
E06-1-17	0SQV-060013-1000	WASHER 14X28X1	1	
E06-1-18	0SQV-060002-1000	SHIFT FORK (LH & RH)	2	
E06-1-19	0SQV-060003-1000	SHIFT FORK (MIDDLE)	1	
E06-1-20	0SQV-060102-1002	FORK SHAFT	1	
E06-1-21	0SQV-060015-1001	DOWEL PIN 6	1	
E06-1-22	0700-064003-00001	GEARSHIFT SWING ARM SLEEVE	1	
E06-1-23	0700-063007	SPRING, CONTACTOR	1	
E06-1-24	0700-063008	BALL CONTACTOR	1	

# E06-2 换档变速总成(2) TRANSMISSION SYSTEM(2)

## 换档变速总成(2)/TRANSMISSION SYSTEM(2)

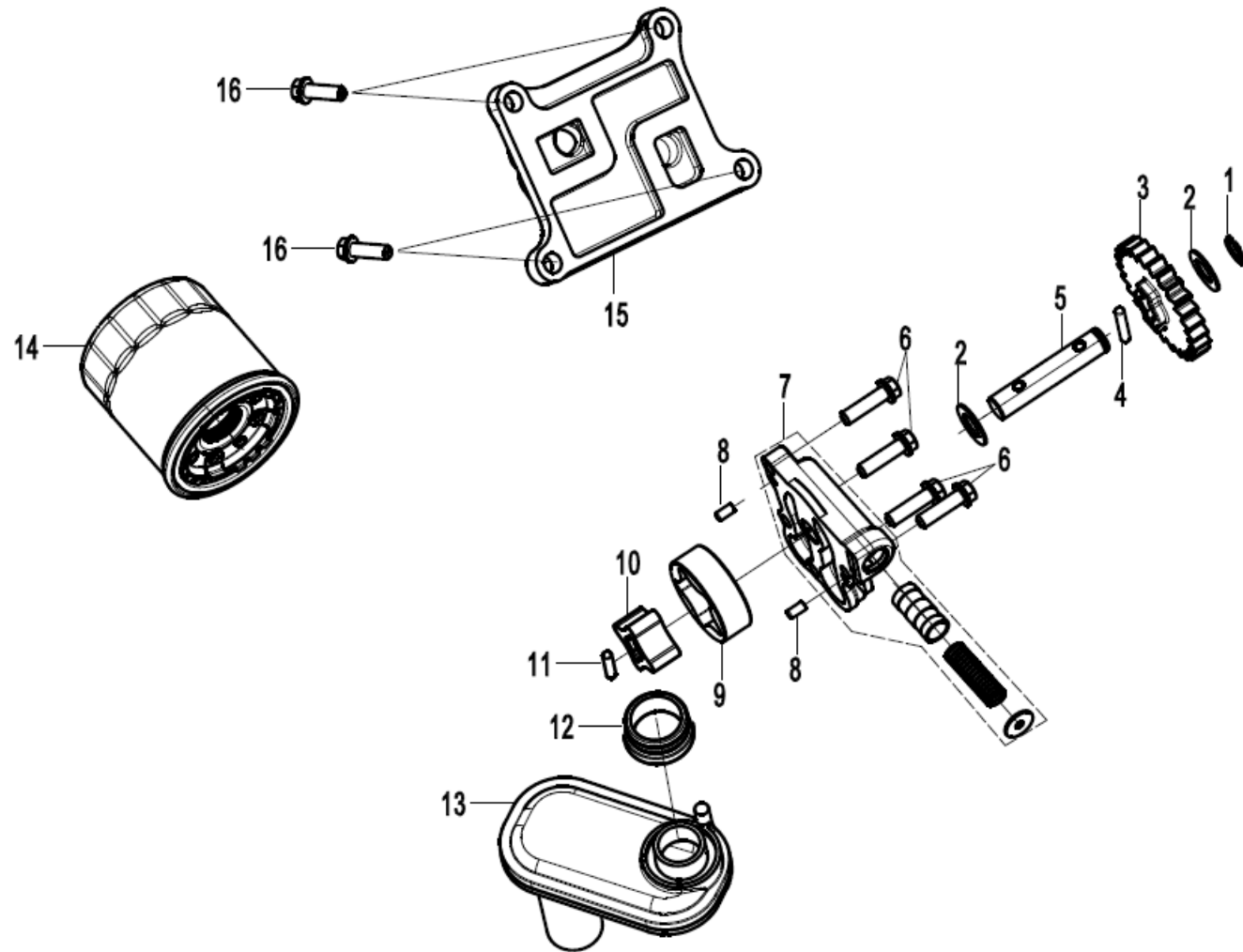


Item No.	Parts Number	Parts Name(EN)	Qty	Remarks
E06-2-01	0700-061002-00002	NUT M20X1.5	1	
E06-2-02	0700-061003	CIRCLIP 20	1	
E06-2-03	0SQV-061012-1000	BEARING, MAIN SHAFT	1	



Item No.	Parts Number	Parts Name(EN)	Qty	Remarks
E06-2-04	0SQV-061001-1000	MAIN SHAFT	1	
E06-2-05	0SQV-061008-1000	WASHER 25.2X31X1	2	
E06-2-06	0SQV-061011-1000	BUSHING 25X28X12	1	
E06-2-07	0SQV-061009-1000	5TH GEAR, MAIN SHAFT	1	
E06-2-08	0DM0-062017	CIRCLIPS FOR SHAFT 25	3	
E06-2-09	0SQV-061007-1000	3RD4TH GEAR, MAIN SHAFT	1	
E06-2-10	0DM0-062016	SPLINE WASHER 25x31x1	2	
E06-2-11	0SQV-061006-1000	SPLINE SLEEVE	1	
E06-2-12	0SQV-061005-1000	6TH GEAR, MAIN SHAFT	1	
E06-2-13	0SQV-061003-1000	2ND GEAR, MAIN SHAFT	1	
E06-2-14	0SQV-061002-1000	WASHER 20.2X31X1.5	3	
E06-2-15	30499-02004	NEEDLE BEARING KMJ20X26X13.8X1S	2	
E06-2-16	0700-061016	CIRCLIPS FOR SHAFT20	2	
E06-2-17	0SQV-062102-1000	SHAFT SLEEVE	1	
E06-2-18	0SQV-062101-1000	1ST GEAR, COUNTERSHAFT	1	
E06-2-19	0SQV-062013-1000	5TH GEAR, COUNTERSHAFT	1	
E06-2-20	30801-02805	CIRCLIPS FOR SHAFT 28	3	
E06-2-21	0SQV-062008-1000	WASHER, SPLINE	2	
E06-2-22	0SQV-062012-1000	3RD GEAR, COUNTERSHAFT	1	
E06-2-23	0SQV-062011-1000	SPLINE SLEEVE	1	
E06-2-24	0SQV-062009-1000	4TH GEAR, COUNTERSHAFT	1	
E06-2-25	0SQV-062006-1000	WASHER 28.2x36x1	1	
E06-2-26	0SQV-062005-1000	BUSHING 28x10.5	1	
E06-2-27	0SQV-062007-1001	6TH GEAR, COUNTERSHAFT	1	
E06-2-28	0SQV-062004-1000	2ND, COUNTERSHAFT	1	
E06-2-29	0SQV-062001-1001	COUNTERSHAFT	1	
E06-2-30	0SQV-062003-1000	COUNTER SHAFT BEARING 62x28	1	
E06-2-31	0800-062205	O-RING 25X2	1	
E06-2-32	0SQV-062002-1000	SHAFT SLEEVE, COUNTERSHAFT	1	
E06-2-33	0MQ0-062030	SPROCKET, OUTPUT	1	
E06-2-34	0700-062015	WASHER	1	
E06-2-35	0SQV-060014-1001	NUT M20x1.5	1	
E06-2-36	0SQV-061000-1000	MAIN SHAFT	1	
E06-2-37	0SQV-062000-1002	COUNTERSHAFT ASSY	1	

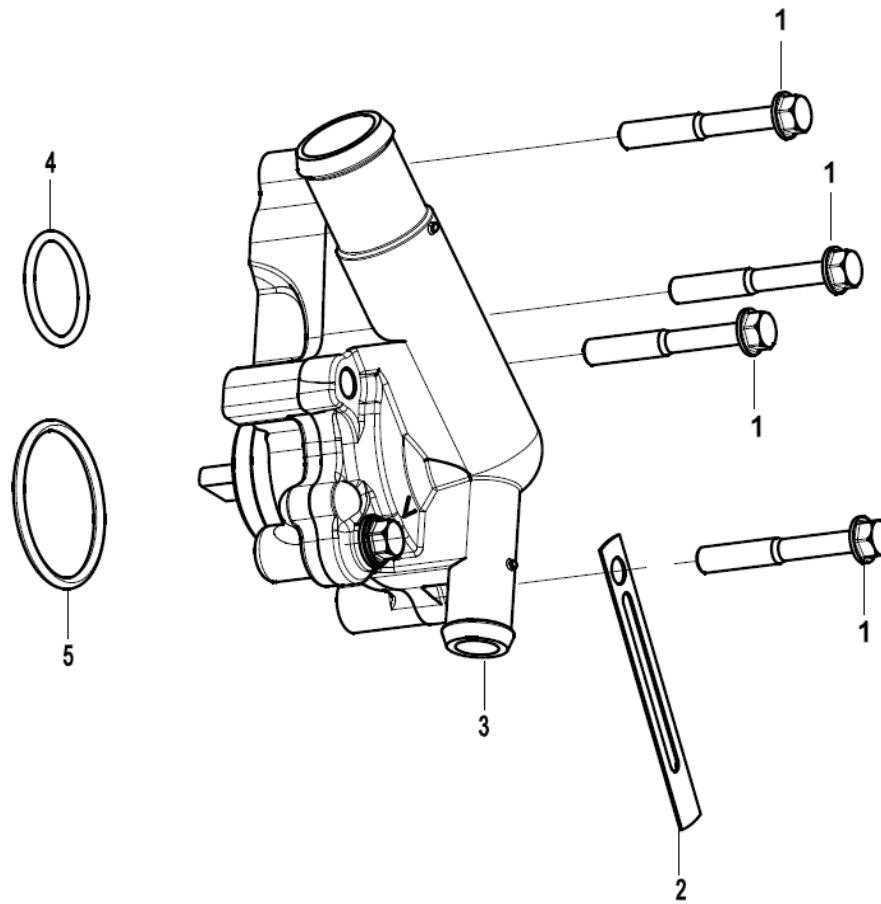
润滑系统总成/LUBRICATION SYSTEM



Item No.	Parts Number	Parts Name(EN)	Qty	Remarks
E07-01	30801-01100	CIRCLIPS FOR SHAFT 11	1	
E07-02	0SQV-071003-1000	WASHER 11X20X1	2	
E07-03	0SQV-071001-1001	GEAR, OIL PUMP	1	
E07-04	30406-00402	ROLLER NEEDLE P4x21.8	1	
E07-05	0SQV-071002-1000	SHAFT, OIL PUMP	1	
E07-06	0010-023010-0010	BOLT M6x20	4	
E07-07	0SQV-071101-10A0	OIL PUMP COVER ASSY	1	
E07-08	30406-00401	ROLLER NEEDLE P4x7.8	2	
E07-09	0700-071003	OUTER ROTOR, MAIN OIL PUMP	1	
E07-10	0700-071004	INNER ROTOR, MAIN OIL PUMP	1	
E07-11	30406-00400	ROLLER NEEDLE P4x15.8	1	
E07-12	0700-070101-00001	GASKET, OIL SUCTION PAN	1	
E07-13	0SQV-073100-1000	FILTER	1	
E07-14	0700-070200	OIL FILTER	1	
E07-15	0SQV-012010-1000-0HB00	OIL PASSAGE COVER ASSY (GREY)	1	
E07-16	0010-023008-00001	BOLT	4	

# E08 水泵总成 WATER PUMP

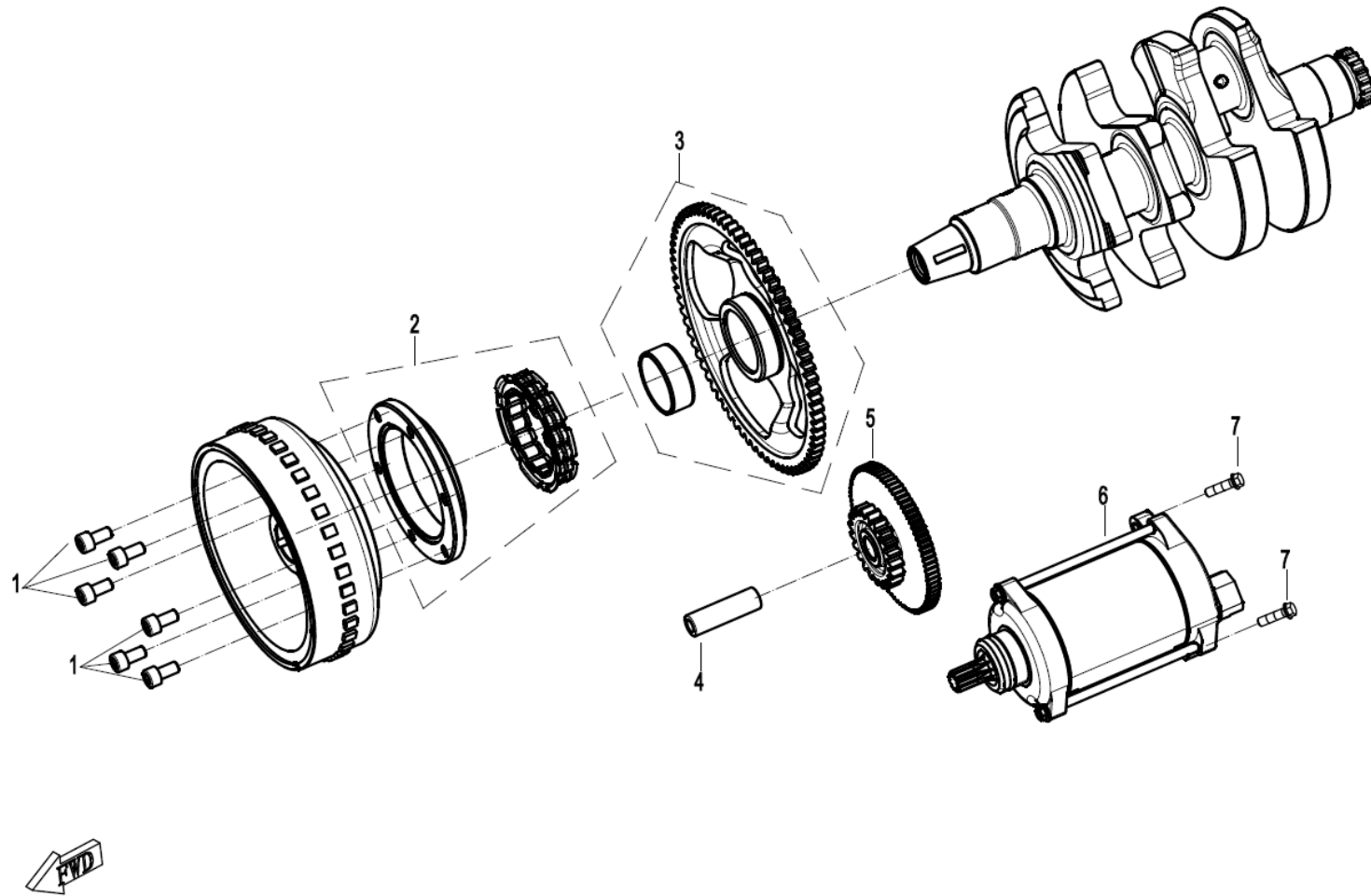
## 水泵总成 WATER PUMP



Item No.	Parts Number	Parts Name(EN)	Qty	Remarks
E08-01	0HTB-065202	BOLT M6x42	4	
E08-02	0180-014010	WIRE CLIP	1	
E08-03	0SQV-081000-1000-10-0BU00	WATER PUMP SUB ASSY	1	
E08-04	0SQV-081009-1000	O-RING	1	
E08-05	0SQV-080002-1000	O-RING 33x2.65	1	

# E09 起动系统总成 STARTING SYSTEM

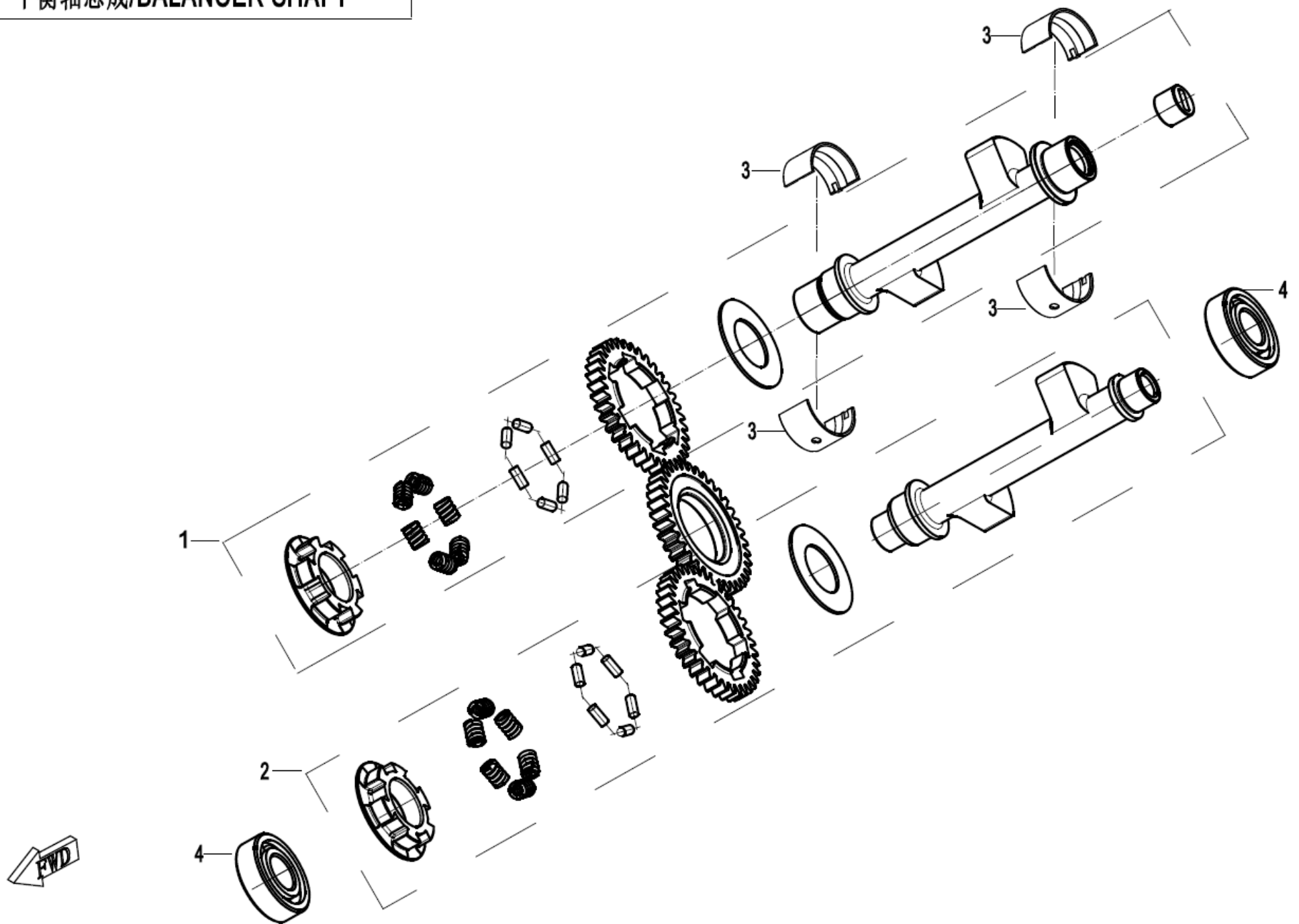
## 起动系统总成/STARTING SYSTEM



Item No.	Parts Number	Parts Name(EN)	Qty	Remarks
E09-01	30102-060012810	SCREW	6	
E09-02	0SQV-092000-1002	STARTING MOTOR GEAR ASSY	1	
E09-03	0SQV-091000-1001	OVERRIDING CLUTCH ASSY	1	
E09-04	0700-090003	SHAFT, MIDDLE GEAR	1	
E09-05	0SQV-090001-1000	DUAL GEAR	1	
E09-06	0SQV-093000-1000	STARTING MOTOR	1	
E09-07	0010-021017-0010	BOLT M6x25	2	

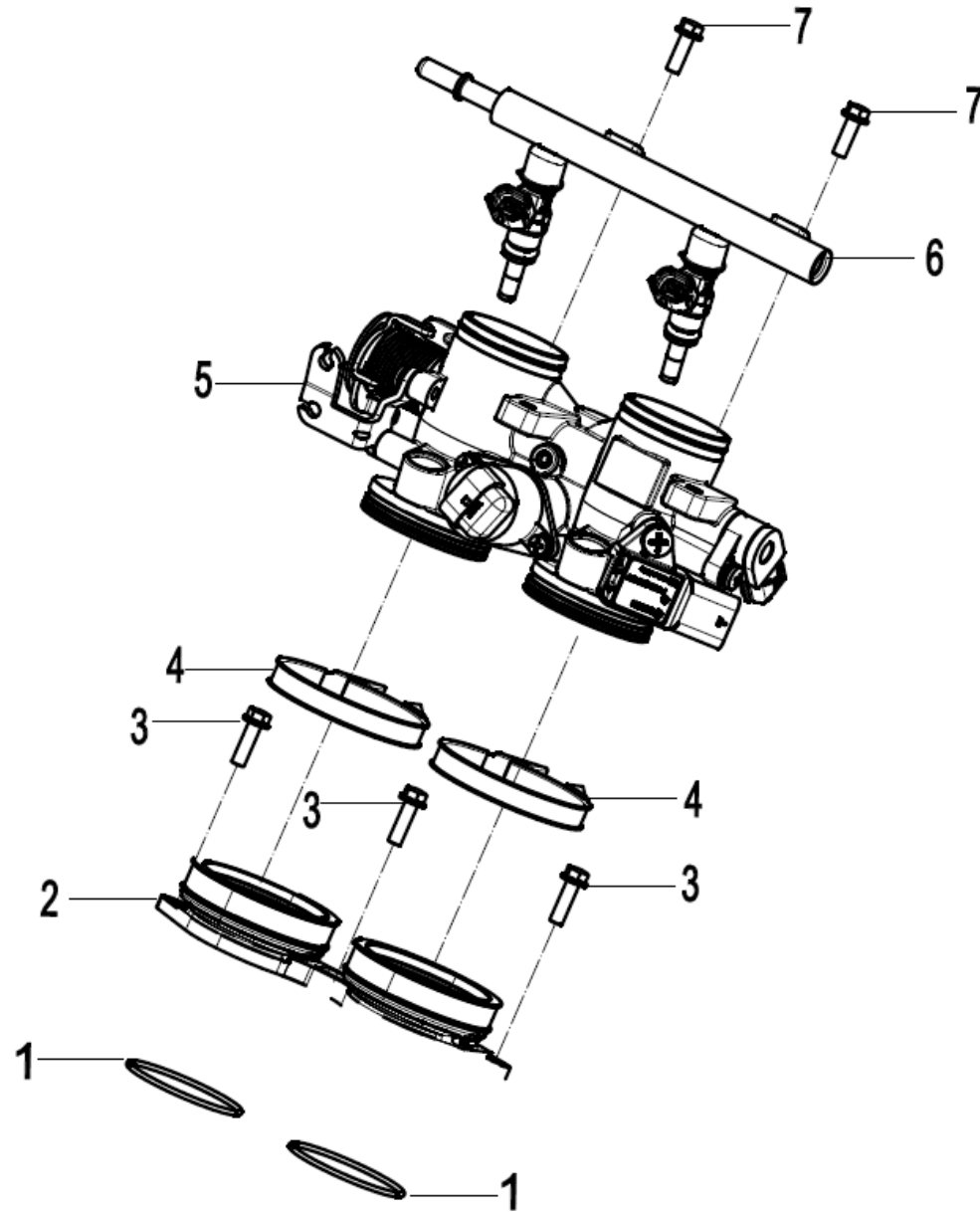
E16 平衡轴总成 BALANCER SHAFT

平衡轴总成/BALANCER SHAFT



Item No.	Parts Number	Parts Name(EN)	Qty	Remarks
E16-01	0SQV-161000-1000-Q0-00001	FRONT BALANCING SHAFT ASSY	1	
E16-01	0SQV-161000-1000-Q0-00002	FRONT BALANCING SHAFT ASSY	1	
E16-02	0SQV-162000-1000-Q0-00001	REAR BALANCING SHAFT ASSY	1	
E16-02	0SQV-162000-1000-Q0-00002	REAR BALANCING SHAFT ASSY	1	
E16-03	0SQV-011002-1000-Q0-00001	PLAIN BEARING, BALANCER SHAFT (RED)	4	
E16-03	0SQV-011002-1000-Q0-00002	PLAIN BEARING, BALANCE SHAFT (BLACK)	4	
E16-03	0SQV-011002-1000-Q0-00003	PLAIN BEARING, BALANCER SHAFT (BLUE)	4	
E16-04	30400-02010	BEARING	2	

节气门阀体和喷油器/THROTTLE&INJECTOR





Item No.	Parts Number	Parts Name(EN)	Qty	Remarks
E17-01	0SQV-022009-1000	O-RING 46.2X2	2	
E17-02	0SQV-022400-1000	CONNECTING PIPE, THROTTLE BODY	1	
E17-03	0010-023008-00001	BOLT	3	
E17-04	0SQV-022410-1000	CLAMP 62	2	
E17-05	0SQV-173000-2000	THROTTLE BODY ASSY	1	
E17-06	0SQV-173200-1001	FUEL PIPE ASSY	1	
E17-07	0010-090005-0010	BOLT M6x16	1	